

# GEAR PUMP PARTS CATALOG

RUICHEN HYDRAULIC  
MACHINERY MANUFACTURING Co., LTD

<https://www.rchchdraulics.com/>

WhatsApp: +86 137 3048 5667

Email: [rchc@rchchdraulics.com](mailto:rchc@rchchdraulics.com)

Website: [www.rchchdraulics.com](http://www.rchchdraulics.com)

# Contents

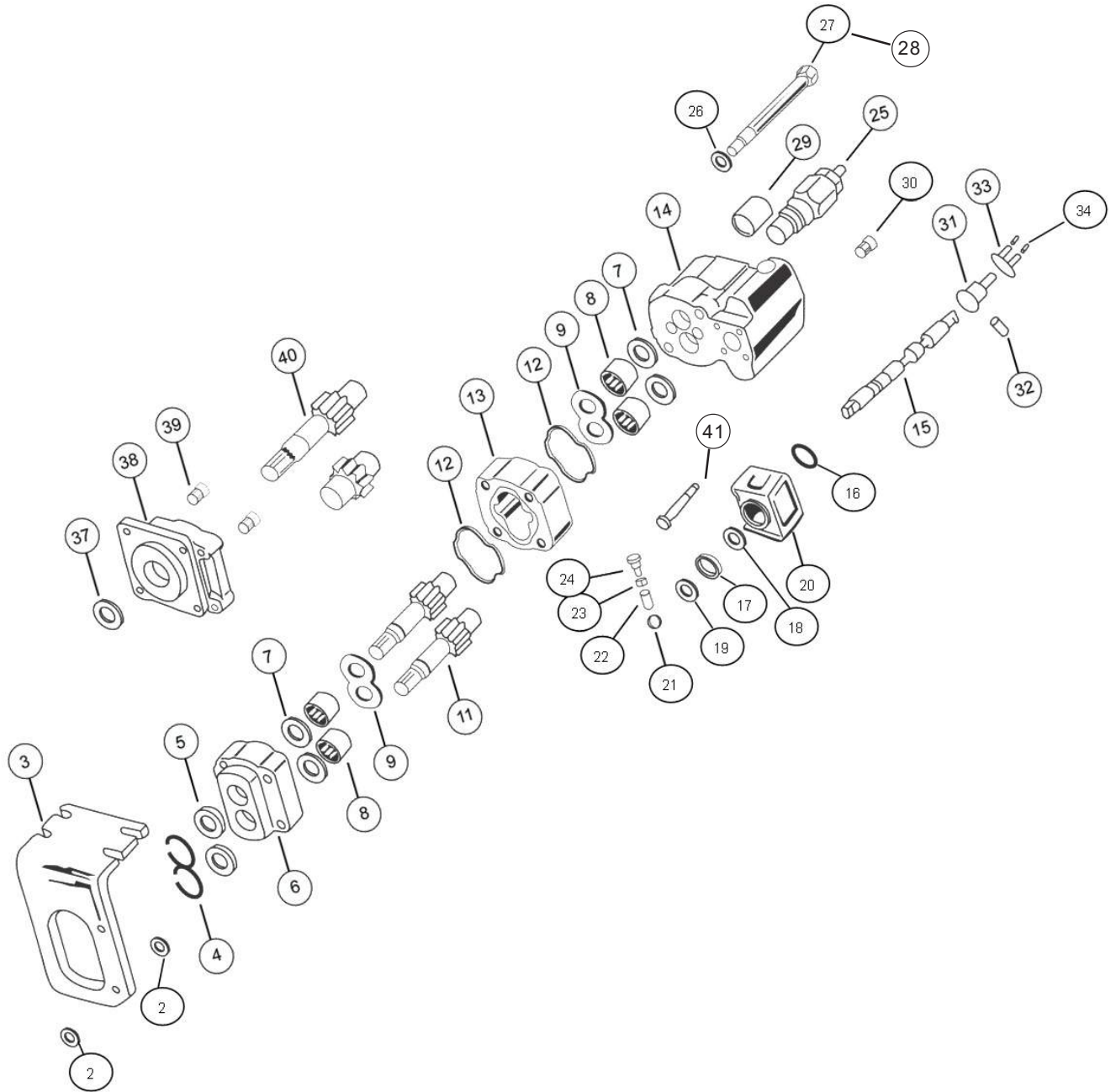
C101/102.....	1
RPGP20.....	3
RPGP30.....	5
RPGP31.....	7
RPGP50.....	9
RPGP51.....	11
RPGP75.....	13
RPGP76.....	15
RPGP315.....	17
RPGP330.....	19
RPGP350.....	21
RPGP365.....	23
NOTE.....	25

# C 101 / 102

PICK THE CORRECT SERIES		RCHC G SERIES		RCHC C SERIES	
DRW. NO.	DESCRIPTION	RCHC NO.	ALTERNATIVE NO.	RCHC NO.	ALTERNATIVE NO.
Not Shown	ONLY HEX NUT	N/A	N/A	X42-11-16000	391-1451-076
2	ONLY WASHER	N/A	N/A	X45-10-17005	391-3784-028
3	101 BRACKET OPTIONAL	N/A	N/A	A11-96-39999	314-0100-005
4	101 SNAP RING	X05-01-45080	391-2681-487	X05-03-50120	391-2681-493
5	101 LIP SEAL	X83-36-02709	391-2883-119	X83-36-03009	391-2883-096
6	101 SHAFT END COVER	A13-10-21100	308-5016-201	A11-10-21100	314-5039-201
7	RING SEAL	X81-76-02706	391-2585-006	X81-76-03305	391-2585-009
8	ROLLER BRG.	X03-25-12743	391-0381-068	X03-25-13349	391-0381-059
9	THRUST PLATE	A30-70-10000	391-2185-013	A25-70-10000	391-2185-012
Not Shown	POCKET SEAL	X85-11-00002	391-2882-086	X85-11-00002	391-2882-050
11	101 SHAFT & GEAR SET	A13-50-XX221	312-29XX-842	A11-50-XX131	314-29XX-640
12	GEAR HOUSING GASKET	X85-11-09203	391-2884-019	X85-11-10803	391-2884-021
13	GEAR HOUSING	A13-32-XX000	308-80XX-901	A11-32-XX000	314-80XX-100
14 a	101 PORT END COVER	SPECIAL ORDER	308-3910-902	A11-22-01431	314-3910-903
14 b	102 PORT END COVER	SPECIAL ORDER	308-3910-901	A12-22-01431	314-3910-904
15	SPOOL VALVE	A13-75-15000	308-4000-001	A11-75-15000	314-4000-001
16	QUAD RING	X86-11-01903	391-1985-014	X81-11-02504	391-2881-103
17	WIPER RING	X83-11-02804	391-2883-147	X83-11-02804	391-2883-147
18	ONLY RETAINER RING	N/A	N/A	X45-19-26003	391-3782-126
19	ONLY SNAP RING	N/A	N/A	X05-04-24160	391-2688-003
20	DETENT CAP	A13-96-14176	308-4000-102	A11-96-14891	314-0100-003
21	DETENT BALL	X03-90-10008	391-0282-009	X03-90-10008	391-0282-009
22	DETENT SPRING	A13-95-00000	391-3581-383	A13-95-00000	391-3581-383
23	LOCK WASHER	X45-17-15004	391-3788-002	X45-17-15004	391-3788-002
24	DETENT RETAINER	A11-60-40000	391-2583-079	A11-60-40000	391-2583-079
25	RELIEF VALVE	A13-75-13000	355-9001-197	A11-75-13000	355-9001-067
26	WASHER	X45-19-15005	391-3782-146	X45-19-17005	391-3784-029
27 a	CAP SCREW / DC101-20	X41-11-XXXXX	391-1401-382	X41-11-XXXXX	391-1401-111
27 b	CAP SCREW / DC101-25	N/A	N/A	X41-11-16191	391-1401-110
28 a	CAP SCREW / DC102 -20	X41-12-06019	391-1401-382	SPECIAL ORDER	391-1425-433
28 b	CAP SCREW / DC102 -25	N/A	N/A	SPECIAL ORDER	391-1425-432
29	OPTIONAL SLEEVE	A11-92-32370	391-3283-052	A11-92-32370	391-3283-052
30	PIPE PLUG	X02-02-23190	391-2282-003	X02-02-23250	391-2282-006
31	SPOOL END CAP	A13-96-23249	391-1881-072	A11-96-23869	391-1881-073
32	SPIRAL PIN	A00-94-30525	391-2085-009	A00-94-30525	391-2085-009
33	BRACKET	A13-96-34168	391-0981-007	A11-96-34884	391-0981-010
34	S.H.C.SCREW	X41-22-06010	391-1402-063	X41-22-06010	391-1402-063
Not Shown	102 SNAP RING	X05-03-56200	391-2686-063	X05-03-77250	391-2686-065
Not Shown	102 SEAL RETAINER	A20-60-10000	391-3381-040	A50-60-10000	391-3383-087
36	102 SPACER	A30-92-38520	391-3383-069	A30-92-38520	N/A
37	102 LIP SEAL	X83-36-02709	391-2883-119	X83-36-03309	391-2883-115
38	102 SHAFT END COVER	A20-10-21420	308-5030-201	A50-10-21420	313-5033-201
39	CHECK VALVES	A00-75-11000	391-3681-001	A00-75-11000	391-3681-001
40	102 SHAFT & GEAR SET 7/8" x 13 tooth spline	A30-50-XX221	312-29XX-130	A50-50-XX221	314-29XX-130
41 a	CAP SCREW / DC101-102	X41-12-06019	391-1433-020	X41-11-08044	391-1401-082
Not Shown	SHAFT KEY	X01-01-61032	391-1781-021	X01-01-61032	391-1781-021
Not Shown	SEAL RETAINER	A13-60-10000	391-2183-124	N/A	N/A

**NOTE** The **XX** shown in the part number is in place of the size the true value must be placed into the part number when ordering parts.  
 (eg.) Gear set no. A13-50-XX221 changes to A13-50-15221 for 1.5" gear size  
 Housing no. A13-32-XX000 changes to A13-32-15000 for a 1.5" housing size  
 No porting sizes have been indicated all porting must be specified when ordering parts.

# C 101 / 102



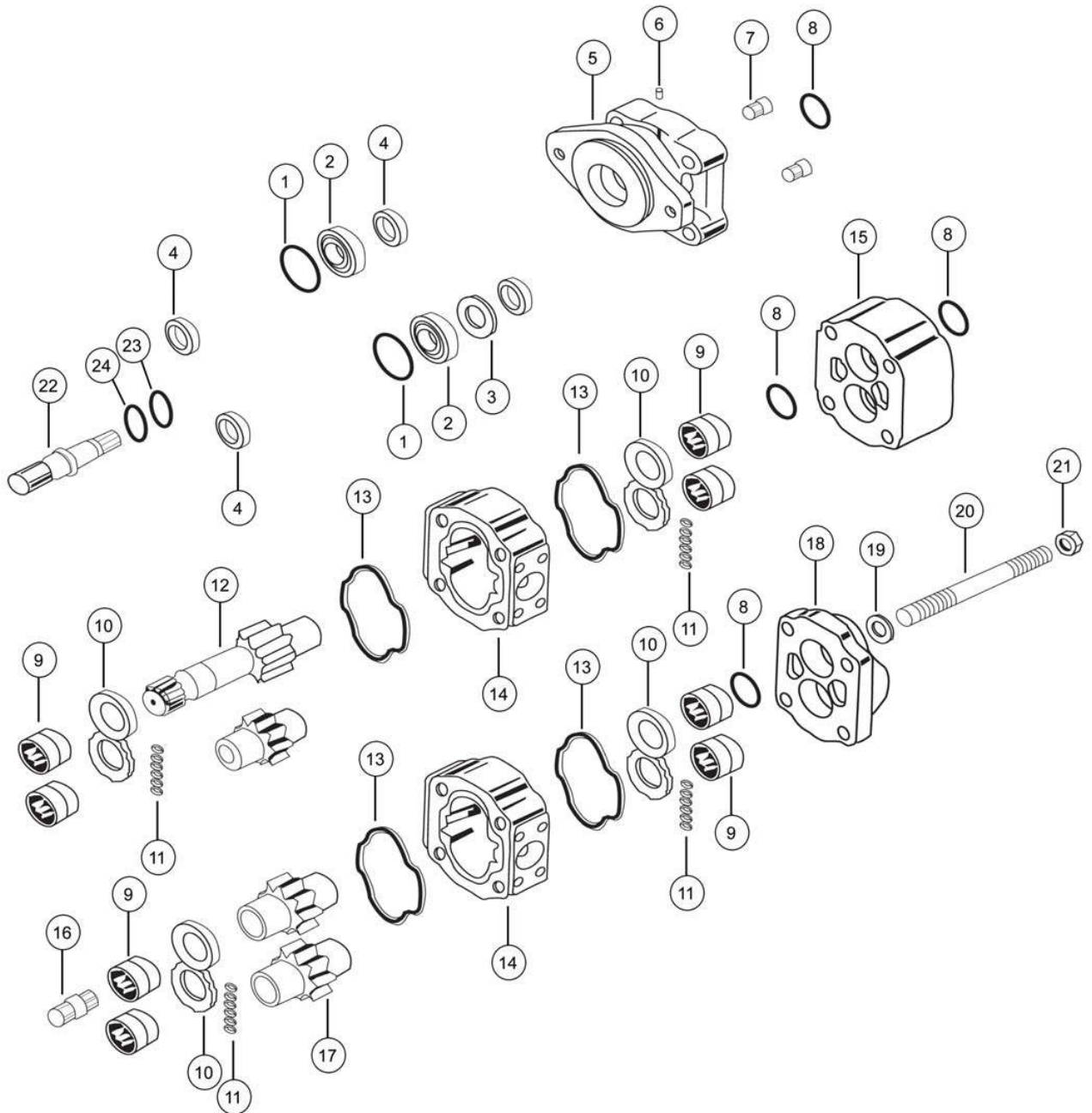
## RPGP20

DRW. NO.	DESCRIPTION	RCHC NO.	ALTERNATIVE NO.
1	SHAFT BEARING SNAP RING	X05-03-56200	391-2686-063
2 a	BEARING SPACER ( IN PLACE OF SHAFT BEARING )	A30-92-38520	391-3383-069
2 b	INPUT SHAFT BEARING	X03-16-12552	391-0381-040
3	MOTOR SEAL RETAINER USED WITH SHAFT BEARING OR SPACER	A20-60-10000	391-3381-040
4 a	PUMP LIP SEAL FOR CONTINENTAL SHAFT ONLY	X89-11-02508	391-2883-107
4 b	MOTOR LIP SEAL FOR CONTINENTAL SHAFT ONLY	X83-36-02509	391-2883-126
4 c	PUMP LIP SEAL FOR SHAFT END COVER	X83-11-02708	391-2883-058
4 d	MOTOR LIP SEAL	X83-36-02709	391-2883-119
5 a	20 6 BOLT ROUND WITH 2.625" OR 66,67 mm PILOT PUMP S.E.C. TYPE 05	A20-10-21650	308-5043-201
5 b	20 PAD PILOT PUMP TYPE 2 S.E.C. TYPE 10	A20-10-22100	308-5016-203
5 c	20 4 BOLT CLOVERLEAF PILOT TYPE 2 PUMP S.E.C. TYPE 27	A20-10-22460	308-5036-201
5 d	20 4 BOLT B PILOT PUMP S.E.C. TYPE 42 (4" or 101,6 mm pilot)	A20-10-21420	308-5030-201
5 e	20 2/4 BOLT B PILOT PUMP S.E.C. TYPE 46 (4" or 101,6 mm pilot)	A20-10-21320	308-5053-202
5 f	20 2 BOLT A PILOT PUMP S.E.C. TYPE 94 (3 1/4" or 82,55 mm pilot)	A20-10-21210	308-5020-204
5 g	20 2 BOLT B PILOT PUMP S.E.C. TYPE 97 (4" or 101,6 mm pilot)	A20-10-21220	308-5020-201
5 h	20 2 BOLT B PILOT TYPE 2 PUMP S.E.C. TYPE 96 (4" or 101,6 mm pilot)	A20-10-22220	308-5029-205
5 i	20 6 BOLT ROUND WITH 2.625" or 66,67 mm PILOT MOTOR S.E.C. TYPE 05	A20-10-41650	308-5043-401
5 j	20 4 BOLT B PILOT MOTOR S.E.C. TYPE 42 (4" or 101,6 mm pilot)	A20-10-41420	308-5030-401
5 k	20 2/4 BOLT B PILOT MOTOR S.E.C. TYPE 46 (4" or 101,6 mm pilot)	A20-10-41320	308-5053-402
5 L	20 2 BOLT A PILOT MOTOR S.E.C. TYPE 94 (3 1/4" or 82,55 mm pilot)	A20-10-41210	308-5020-404
5 m	20 2 BOLT B PILOT MOTOR S.E.C. TYPE 97 (4" or 101,6 mm pilot)	A20-10-41220	308-5020-401
6	CASE DRAIN PLUG	X02-03-22060	391-2282-056
7 a	CHECK VALVE MOTOR	A00-75-11000	391-3681-001
7 b	PRESSURE PLUG PUMP	X02-03-32110	391-2286-004
8	RING SEAL	X81-76-02706	391-2585-006
9	ROLLER BEARING (Ø 1.687" O.D.)	X03-25-12743	391-0381-068
10	PUMP & MOTOR THRUST PLATE	A30-70-10000	391-2185-013
11	POCKET SEAL	X85-11-00002	391-2882-086
12 a	SHAFT & GEAR TYPE 30 (0.875" Ø x 1/4" x 3/8" x 1" key)	A30-50-XX125	312-29XX-730
12 b	SHAFT & GEAR TYPE 25 ( 0.875" Ø - 13-Tooth spline)	A30-50-XX225	312-29XX-230
12 c	SHAFT & GEAR TYPE 43 (1.00" Ø x 1/4" x 3/8" x 1 1/4" key)	A30-50-XX135	312-29XX-740
12 d	SHAFT & GEAR TYPE 67 TYPE 2 (0.875" Ø x 1/4" x 3/8" x 1" key)	A30-50-XX132	312-29XX-940
12 e	SHAFT & GEAR TYPE 66 TYPE 2 (0.875" Ø x 1/4" x 3/8" x 1" key)	A30-50-XX126	312-29XX-930
12 f	SHAFT & GEAR TYPE 65 TYPE 2 ( 0.875" Ø - 13-Tooth spline)	A30-50-XX226	312-29XX-430
13	PUMP & MOTOR HOUSING GASKET	X85-11-09203	391-2884-019
14	PUMP & MOTOR GEAR HOUSING	A20-32-XX000	308-80XX-100
15 a	20 MOTOR BEARING CARRIER BLANK	A20-40-00000	308-7300-100
15 b	20 PUMP BEARING CARRIER WITH COMMON PASSAGE	A20-40-20000	308-7363-100
16	CONNECTING SHAFT	A30-50-00500	312-1133-001
17	GEAR SET ONLY	A30-50-XX000	312-28XX-000
18	20 PUMP & MOTOR PORT END COVER	A20-22-00000	308-3100-100
19	FLAT WASHER (9/16")	X45-19-15005	391-3782-146
20	BOLTS / STUDS (9/16" UNC)	See page	Fasteners
21	HEX NUT (9/16" UNC)	X42-11-14012	391-1451-115
22 a	CONTINENTAL SHAFT TYPE 30 (0.875" Ø x 1/4" x 3/8" x 1" key)	A30-50-00121	312-1500-300
22 b	CONTINENTAL SHAFT TYPE 30 Long (0.875" Ø x 1/4" x 3/8" x 1" key)	A30-50-00124	312-1135-192
22 c	CONTINENTAL SHAFT TYPE 7 (1.250" Ø - 14-tooth spline, Continental only)	A30-50-00241	312-1135-133
22 d	CONTINENTAL SHAFT TYPE 25 ( 0.875" Ø - 13-Tooth spline)	A30-50-00221	312-1135-138
22 e	CONTINENTAL SHAFT TAPERED TYPE 32 (Clutch pump shaft with woodruff key)	SPECIAL ORDER	312-1500-001
22 f	CONTINENTAL SHAFT TYPE 43 (1.00" Ø x 1/4" x 3/8" x 1 1/4" key)	A30-50-00131	312-1500-400
22 g	CONTINENTAL SHAFT TYPE 43 Long (1.00" Ø x 1/4" x 3/8" x 1 1/4" key)	A30-50-00134	312-1135-193
22 h	CONTINENTAL SHAFT TYPE 12 (0.750" Ø x 3/16" x 3/16" 1 9/16" key)	A30-50-00169	312-1135-152
22 i	CONTINENTAL SHAFT THREADED & KEYED END TYPE 15 (5/8"-18UNF+1/4"x3/8"x7/8"key)	A30-50-00127	312-1135-171
22 j	CONTINENTAL SHAFT TYPE 95 (0.625" Ø x 9-tooth spline)	A30-50-00211	312-1000-200
23	CONTINENTAL SHAFT BRG. RETAINER SNAP RING	X05-02-28110	391-2685-011
24	CONTINENTAL SHAFT BRG. RETAINER	A20-60-20000	312-0100-002

# RPGP20

DRW. NO.	DESCRIPTION	RCHC NO.	ALTERNATIVE NO.
Not Shown	SHAFT KEY FOR TYPE 12 SHAFT	X01-02-50540	391-1781-075
Not Shown	SHAFT KEY FOR TYPE 43 & 67 SHAFT	X01-01-61032	391-1781-021
Not Shown	SHAFT KEY FOR TYPE 30 & 66 SHAFT	X01-01-61025	391-1781-025
Not Shown	SHAFT KEY FOR TYPE Spl. SHAFT	X01-01-61044	391-1781-020

**NOTE** The **XX** shown in the part number is in place of the size the true value must be placed into the part number when ordering parts.  
**(eg.)** Gear set no. A30-50-XX000 changes to A30-50-15000 for 1.5" gear size  
 Housing no. A20-32-XX000 changes to A20-32-15000 for a 1.5" housing size  
 No porting sizes have been indicated all porting must be specified when ordering parts.



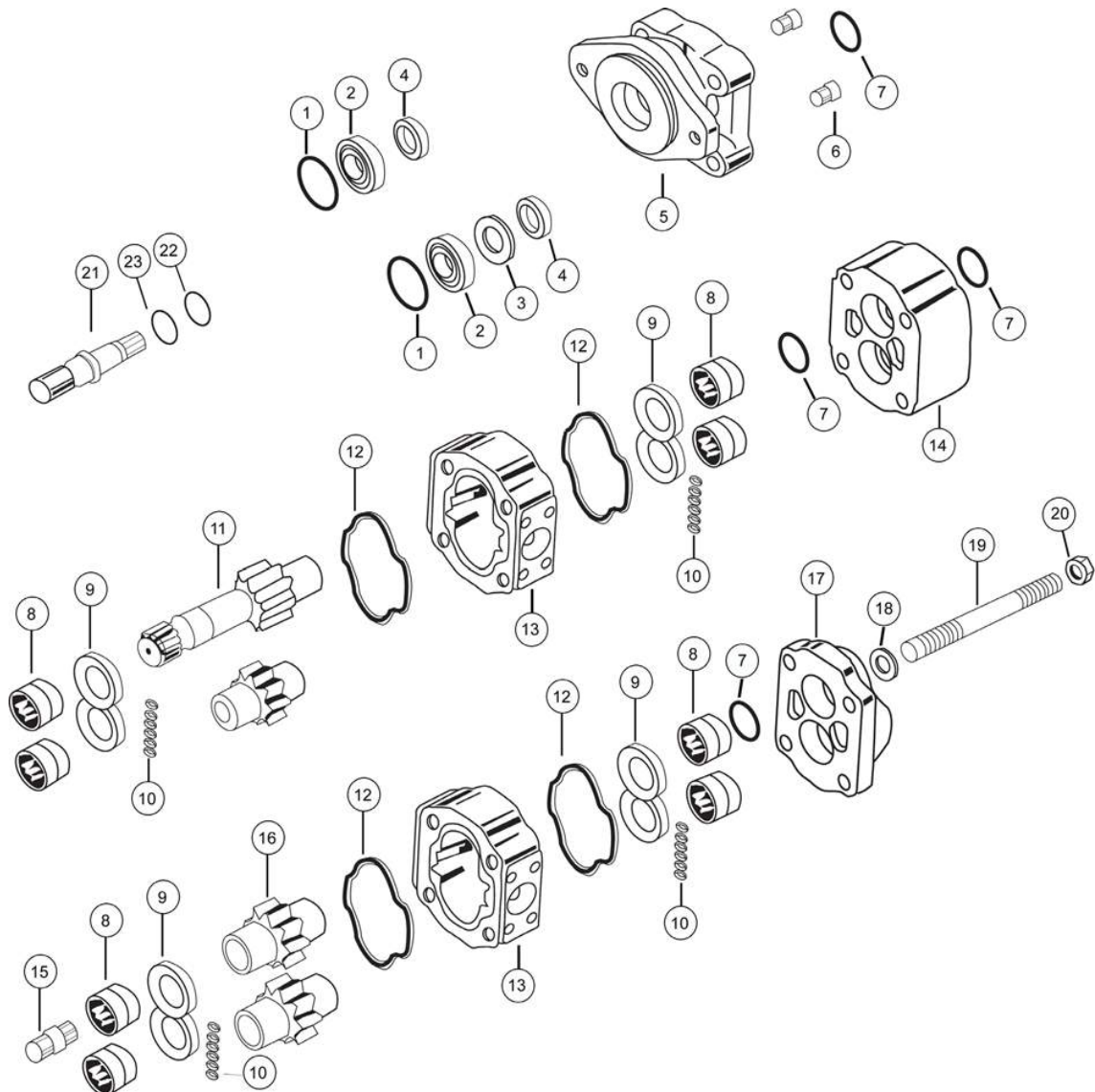
## RPGP30

DRW. NO.	DESCRIPTION	RCHC NO.	GENERAL NO.
1	SHAFT BEARING SNAP RING	X05-03-56200	391-2686-063
2 a	INPUT SHAFT BEARING	X03-16-12552	391-0381-040
2 b	BEARING SPACER ( IN PLACE OF SHAFT BEARING )	A30-92-38520	391-3383-069
3	MOTOR SEAL RETAINER USED WITH SHAFT BEARING OR SPACER	A20-60-10000	391-3381-040
4 a	PUMP LIP SEAL FOR CONTINENTAL SHAFT ONLY	X89-11-02508	391-2883-107
4 b	PUMP LIP SEAL FOR PIGGY BACK 76/31 SHAFT END COVER	X83-11-03308	391-2883-103
4 c	MOTOR LIP SEAL	X83-36-02709	391-2883-119
4 d	MOTOR LIP SEAL FOR CONTINENTAL SHAFT ONLY	X83-36-02509	391-2883-126
5 a	30 PAD PILOT PUMP S.E.C. TYPE 00	A30-10-21100	312-5013-201
5 b	30 6 BOLT ROUND WITH 2.625" or 66,67 mm PILOT PUMP S.E.C. TYPE 05	A30-10-21651	312-5043-201
5 c	30 4 BOLT B PILOT PUMP S.E.C. TYPE 42 (4" or 101,6 mm pilot)	A30-10-21420	312-5033-201
5 d	30 4 BOLT C PILOT PUMP S.E.C. TYPE 78 (5" or 127 mm pilot)	A30-10-21430	312-5033-202
5 e	30 2 BOLT A PILOT PUMP S.E.C. TYPE 94 (3 1/4" or 82,55 mm pilot)	A30-10-21210	312-5023-205
5 f	30 2 BOLT B PILOT PUMP S.E.C. TYPE 97 (4" or 101,6 mm pilot)	A30-10-21220	312-5023-202
5 g	30 2 BOLT B (TYPE 2) PILOT PUMP S.E.C. TYPE 96 (4" or 101,6 mm pilot)	A30-10-22220	312-5029-201
5 h	30/50 SHAFT END COVER FOR PIGGYBACK UNITS TYPE 91	A02-10-21500	312-5029-210
5 i	75/30 SHAFT END COVER FOR PIGGYBACK UNITS TYPE 92	A03-10-21500	312-5026-204
5 j	30 2/4 BOLT B PILOT PUMP S.E.C. TYPE 46 (4" or 101,6 mm pilot)	A30-10-21320	312-5053-202
5 k	30 PAD PILOT MOTOR S.E.C. TYPE 00	A30-10-41100	312-5013-401
5 L	30 6 BOLT ROUND WITH 2.625" or 66,67 mm PILOT MOTOR S.E.C. TYPE 05	A30-10-41650	312-5043-601
5 m	30 4 BOLT B PILOT MOTOR S.E.C. TYPE 42 (4" or 101,6 mm pilot)	A30-10-41420	312-5033-601
5 n	30 4 BOLT C PILOT MOTOR S.E.C. TYPE 78 (5" or 127 mm pilot)	A30-10-41430	312-5033-402
5 o	30 2 BOLT A PILOT MOTOR S.E.C. TYPE 94 (3 1/4" or 82,55 mm pilot)	A30-10-41210	312-5023-405
5 p	30 2 BOLT B PILOT MOTOR S.E.C. TYPE 97 (4" or 101,6 mm pilot)	A30-10-41220	312-5023-402
5 q	30 2/4 BOLT B PILOT MOTOR S.E.C. TYPE 46 (4" or 101,6 mm pilot)	A30-10-41320	312-5053-402
6 a	CHECK VALVE MOTOR	A00-75-11000	391-3681-001
6 b	PRESSURE PLUG PUMP	X02-03-32110	391-2286-004
7	RING SEAL	X81-76-02706	391-2585-006
8	ROLLER BEARING (Ø1.687" O.D.)	X03-25-12743	391-0381-068
9	PUMP & MOTOR THRUST PLATE	A30-70-10000	391-2185-013
10	POCKET SEAL	X85-11-00002	391-2882-086
11 a	SHAFT & GEAR TYPE 30 (0.875" Ø x 1/4" x 3/8" x 1" key)	A30-50-XX125	312-29XX-730
11 b	SHAFT & GEAR TYPE 25 ( 0.875" Ø - 13-Tooth spline)	A30-50-XX225	312-29XX-230
11 c	SHAFT & GEAR TYPE 43 (1.00" Ø x 1/4" x 3/8" x 1 1/4" key)	A30-50-XX135	312-29XX-740
11 d	SHAFT & GEAR TYPE 66 TYPE 2 (0.875" Ø x 1/4" x 3/8" x 1" key)	A30-50-XX126	312-29XX-930
11 e	SHAFT & GEAR TYPE 65 TYPE 2 ( 0.875" Ø - 13-Tooth spline)	A30-50-XX226	312-29XX-430
12	PUMP & MOTOR HOUSING GASKET	X85-11-10104	391-2884-050
13	PUMP & MOTOR GEAR HOUSING	A31-32-XX000	312-80XX-100
14 a	MOTOR BEARING CARRIER BLANK	A30-40-00000	312-7300-100
14 b	PUMP BEARING CARRIER WITH COMMON PASSAGE	A30-40-20000	312-7373-100
15	CONNECTING SHAFT	A30-50-00500	312-1133-001
16	GEAR SET ONLY	A30-50-XX000	312-28XX-000
17 a	PUMP & MOTOR PORT END COVER	A30-22-00000	312-3200-100
17 b	30 PUMP & MOTOR PORT END COVER LARGER PORTING	A30-27-00000	312-3400-100
17 c	30/30 PIGGY BACK PORT END COVER	A01-22-03000	312-5029-213
18	FLAT WASHER	X45-10-17005	391-3784-028
19	BOLTS / STUDS	See page	Fasteners
20	HEX NUT	X42-11-16000	391-1451-076
21 a	CONTINENTAL SHAFT TYPE 30 (0.875" Ø x 1/4" x 3/8" x 1" key)	A30-50-00121	312-1500-300
21 b	CONTINENTAL SHAFT TYPE 30 Long (0.875" Ø x 1/4" x 3/8" x 1" key)	A30-50-00124	312-1135-192
21 c	CONTINENTAL SHAFT TYPE 7 (1.250" Ø - 14-tooth spline, Continental only)	A30-50-00241	312-1135-133
21 d	CONTINENTAL SHAFT TYPE 25 ( 0.875" Ø - 13-Tooth spline)	A30-50-00221	312-1135-138
21 e	CONTINENTAL SHAFT TAPERED TYPE 32 (Clutch pump shaft with woodruff key)	SPECIAL ORDER	312-1500-001
21 f	CONTINENTAL SHAFT TYPE 43 (1.00" Ø x 1/4" x 3/8" x 1 1/4" key)	A30-50-00131	312-1500-400
21 g	CONTINENTAL SHAFT TYPE 43 Long (1.00" Ø x 1/4" x 3/8" x 1 1/4" key)	A30-50-00134	312-1135-193
21 h	CONTINENTAL SHAFT TYPE 12 (0.750" Ø x 3/16" x 3/16" 1 9/16" key)	A30-50-00169	312-1135-152
21 i	CONTINENTAL SHAFT THREADED & KEYED END TYPE 15 (5/8"-18UNF + 1/4" x 3/8" x 7/8"key)	A30-50-00127	312-1135-171
21 j	CONTINENTAL SHAFT TYPE 95 (0.625" Ø x 9-tooth spline)	A30-50-00211	312-1000-200
22	CONTINENTAL SHAFT BRG. RETAINER SNAP RING	X05-02-28110	391-2685-011
23	CONTINENTAL SHAFT BRG. RETAINER	A20-60-20000	312-0100-002
Not Shown	SEAL RETAINER FOR 50/50& 30/50 PIGGY BACK PUMP S.E.C.	A30-60-10001	391-2584-063
Not Shown	SEAL RETAINER O RING FOR PIGGY BACK PUMP S.E.C.	X81-11-04704	391-2881-124
Not Shown	SEAL RETAINER O RING FOR PIGGY BACK PUMP S.E.C.	X81-11-05704	391-2881-120

# RPGP30

DRW. NO.	DESCRIPTION	RCHC NO.	GENERAL NO.
Not Shown	SEAL RETAINER FOR 75/50 & 75/30 PIGGY BACK PUMP S.E.C.	A50-60-10003	391-2585-013
Not Shown	CASE DRAIN PLUG	X02-03-22060	391-2282-056
Not Shown	PUMP & PIGGY BACK 31/31 S.E.C.LIP SEAL	X83-11-02708	391-2883-058
Not Shown	SHAFT KEY FOR TYPE 12 SHAFT	X01-02-50540	391-1781-075
Not Shown	SHAFT KEY FOR TYPE 43 & 67 SHAFT	X01-01-61032	391-1781-021
Not Shown	SHAFT KEY FOR TYPE 30 & 66 SHAFT	X01-01-61025	391-1781-025
Not Shown	SHAFT KEY FOR TYPE Spl. SHAFT	X01-01-61044	391-1781-020
Not Shown	30/30 PIGGY BACK CONNECTING SHAFT	A01-50-00400	312-1133-002
Not Shown	50/30 PIGGY BACK CONNECTING SHAFT	A02-50-00400	312-1133-003
Not Shown	75/30 PIGGY BACK CONNECTING SHAFT	A03-50-00400	316-1133-003

**NOTE** The **XX** shown in the part number is in place of the size the true value must be placed into the part number when ordering parts.  
**(eg.)** Gear set no. A30-50-XX000 changes to A30-50-15000 for 1.5" gear size  
Housing no. A31-32-XX000 changes to A31-32-15000 for a 1.5" housing size  
No porting sizes have been indicated all porting must be specified when ordering parts.



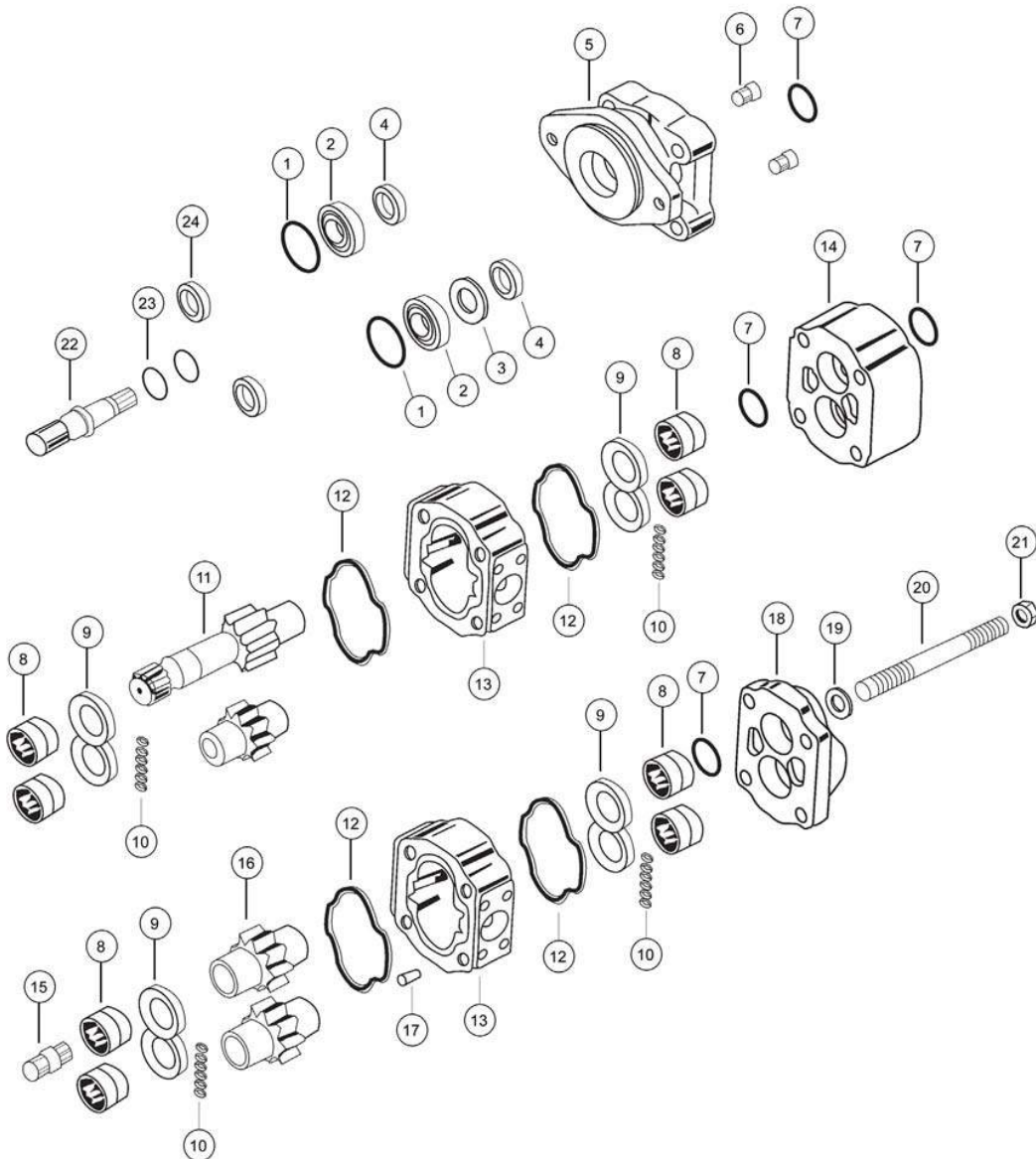
## RPGP31

DRW. NO.	DESCRIPTION	RCHC NO.	GENERAL NO.
1	SHAFT BEARING SNAP RING	X05-03-56200	391-2686-063
2 a	INPUT SHAFT BEARING	X03-16-12552	391-0381-040
2 b	BEARING SPACER ( IN PLACE OF SHAFT BEARING )	A30-92-38520	391-3383-069
3	MOTOR SEAL RETAINER USED WITH SHAFT BEARING OR SPACER	A20-60-10000	391-3381-040
4 a	PUMP LIP SEAL FOR CONTINENTAL SHAFT ONLY	X89-11-02508	391-2883-107
4 b	PUMP LIP SEAL FOR PIGGY BACK 76/31 SHAFT END COVER	X83-11-03308	391-2883-103
4 c	MOTOR LIP SEAL	X83-36-02709	391-2883-119
4 d	MOTOR LIP SEAL FOR CONTINENTAL SHAFT ONLY	X83-36-02509	391-2883-126
5 a	31 PAD PILOT PUMP S.E.C. TYPE 00	A31-10-21100	312-5017-201
5 b	31 6 BOLT ROUND WITH 2.625" or 66,67 mm PILOT PUMP S.E.C. TYPE 05	A31-10-21650	312-5047-201
5 c	31 4 BOLT B PILOT PUMP S.E.C. TYPE 42 (4" or 101,6 mm pilot)	A31-10-21420	312-5037-201
5 d	31 4 BOLT C PILOT PUMP S.E.C. TYPE 78 (5" or 127 mm pilot)	A31-10-21430	312-5037-202
5 e	31 2 BOLT A PILOT PUMP S.E.C. TYPE 94 (3 1/4" or 82,55 mm pilot)	A31-10-21210	312-5027-204
5 f	31 2 BOLT B PILOT PUMP S.E.C. TYPE 97 (4" or 101,6 mm pilot)	A31-10-21220	312-5027-201
5 g	31 2 BOLT B (TYPE 2) PILOT PUMP S.E.C. TYPE 96 (4" or 101,6 mm pilot)	A31-10-22220	312-5027-205
5 h	31/51 SHAFT END COVER FOR PIGGYBACK UNITS TYPE 91	A05-10-21500	312-5027-208
5 i	76/31 SHAFT END COVER FOR PIGGYBACK UNITS TYPE 92	A06-10-21500	312-5027-209
5 j	31 2/4 BOLT B PILOT PUMP S.E.C. TYPE 46 (4" or 101,6 mm pilot)	A30-10-21320	312-5053-202
5 k	31 PAD PILOT MOTOR S.E.C. TYPE 00	A31-10-41100	312-5017-401
5 L	31 6 BOLT ROUND WITH 2.625" or 66,67 mm PILOT MOTOR S.E.C. TYPE 05	A31-10-41650	312-5047-401
5 m	31 4 BOLT B PILOT MOTOR S.E.C. TYPE 42 (4" or 101,6 mm pilot)	A31-10-41420	312-5037-401
5 n	31 4 BOLT C PILOT MOTOR S.E.C. TYPE 78 (5" or 127 mm pilot)	A31-10-41430	312-5037-402
5 o	31 2 BOLT A PILOT MOTOR S.E.C. TYPE 94 (3 1/4" or 82,55 mm pilot)	A31-10-41210	312-5027-404
5 p	31 2 BOLT B PILOT MOTOR S.E.C. TYPE 97 (4" or 101,6 mm pilot)	A31-10-41220	312-5027-401
5 q	31 2/4 BOLT B PILOT MOTOR S.E.C. TYPE 46 (4" or 101,6 mm pilot)	A30-10-41320	312-5053-402
6 a	CHECK VALVE MOTOR	A00-75-11000	391-3681-001
6 b	PRESSURE PLUG PUMP	X02-03-32110	391-2286-004
7	RING SEAL	X81-76-02706	391-2585-006
8	ROLLER BEARING (Ø1.687" O.D.)	X03-25-12743	391-0381-068
9 a	PUMP THRUST PLATE	A31-70-20000	391-2185-031
9 b	MOTOR THRUST PLATE	A30-70-10000	391-2185-013
10	POCKET SEAL	X85-11-00002	391-2882-086
11 a	SHAFT & GEAR TYPE 30 (0.875" Ø x 1/4" x 3/8" x 1" key)	A30-50-XX125	312-29XX-730
11 b	SHAFT & GEAR TYPE 25 (0.875" Ø - 13-Tooth spline)	A30-50-XX225	312-29XX-230
11 c	SHAFT & GEAR TYPE 43 (1.00" Ø x 1/4" x 1/4" x 1 1/4" key)	A30-50-XX135	312-29XX-740
11 d	SHAFT & GEAR TYPE 66 TYPE 2 (0.875" Ø x 1/4" x 3/8" x 1" key)	A30-50-XX126	312-29XX-930
11 e	SHAFT & GEAR TYPE 65 TYPE 2 ( 0.875" Ø - 13-Tooth spline)	A30-50-XX226	312-29XX-430
12	PUMP & MOTOR HOUSING GASKET	X85-11-10104	391-2884-050
13	PUMP & MOTOR GEAR HOUSING	A31-32-XX000	312-82XX-100
14 a	31 MOTOR BEARING CARRIER BLANK	A31-40-00000	312-7740-100
14 b	31 PUMP BEARING CARRIER WITH COMMON PASSAGE	A31-40-20000	312-7723-100
15	CONNECTING SHAFT	A30-50-00500	312-1133-001
16	GEAR SET ONLY	A30-50-XX000	312-28XX-000
17	GEAR HOUSING DOWEL PIN	A00-94-11025	391-2082-032
18 a	31 PUMP & MOTOR PORT END COVER	A31-22-00000	312-3120-100
18 b	31 PUMP & MOTOR PORT END COVER LARGER PORTING	A31-27-00000	312-3420-100
18 c	31/31 PIGGY BACK PORT END COVER	A04-22-03000	312-5027-212
19	FLAT WASHER	X45-10-17005	391-3784-028
20	BOLTS / STUDS (5/8" UNC)	See page	Fasteners
21	HEX NUT (5/8" UNC)	X42-11-16000	391-1451-076
22 a	CONTINENTAL SHAFT TYPE 30 (0.875" Ø x 1/4" x 3/8" x 1" key)	A30-50-00121	312-1500-300
22 b	CONTINENTAL SHAFT TYPE 30 Long (0.875" Ø x 1/4" x 3/8" x 1" key)	A30-50-00124	312-1135-192
22 c	CONTINENTAL SHAFT TYPE 7 (1.250" Ø - 14-tooth spline, Continental only)	A30-50-00241	312-1135-133
22 d	CONTINENTAL SHAFT TYPE 25 ( 0,875" Ø - 13-Tooth spline)	A30-50-00221	312-1135-138
22 e	CONTINENTAL SHAFT TAPERED TYPE 32 (Clutch pump shaft with woodruff key)	SPECIAL ORDER	312-1500-001
22 f	CONTINENTAL SHAFT TYPE 43 (1.00" Ø x 1/4" x 3/8" x 1 1/4" key)	A30-50-00131	312-1500-400
22 g	CONTINENTAL SHAFT TYPE 43 Long (1.00" Ø x 1/4" x 3/8" x 1 1/4" key)	A30-50-00134	312-1135-193
22 h	CONTINENTAL SHAFT TYPE 12 (0.750" Ø x 3/16" x 3/16" 1 9/16" key)	A30-50-00169	312-1135-152
22 i	CONTINENTAL SHAFT THREADED & KEYED END TYPE 15 (5/8"-18UNF + 1/4" x 3/8" x 7/8"key)	A30-50-00127	312-1135-171
22 j	CONTINENTAL SHAFT TYPE 95 (0.625" Ø x 9-tooth spline)	A30-50-00211	312-1000-200
23	CONTINENTAL SHAFT BRG. RETAINER	A20-60-20000	312-0100-002
24	CONTINENTAL SHAFT BRG. RETAINER SNAP RING	X05-02-28110	391-2685-011
Not Shown	PUMP & PIGGY BACK 31/31 S.E.C.LIP SEAL	X83-11-02708	391-2883-058
Not Shown	SEAL RETAINER FOR 51/51& 31/51 PIGGY BACK PUMP S.E.C.	A30-60-10001	391-2584-063
Not Shown	SEAL RETAINER O RING FOR PIGGY BACK PUMP S.E.C.	X81-11-04704	391-2881-124
Not Shown	SEAL RETAINER O RING FOR PIGGY BACK PUMP S.E.C.	X81-11-05704	391-2881-120

# RPGP31

DRW. NO.	DESCRIPTION	RCHC NO.	GENERAL NO.
Not Shown	SEAL RETAINER FOR 76/51 & 76/31 PIGGY BACK PUMP S.E.C.	A50-60-10003	391-2585-013
Not Shown	CASE DRAIN PLUG	X02-03-22060	391-2282-056
Not Shown	SHAFT KEY FOR TYPE 12 SHAFT	X01-02-50540	391-1781-075
Not Shown	SHAFT KEY FOR TYPE 43 & 67 SHAFT	X01-01-61032	391-1781-021
Not Shown	SHAFT KEY FOR TYPE 30 & 66 SHAFT	X01-01-61025	391-1781-025
Not Shown	SHAFT KEY FOR TYPE Spl. SHAFT	X01-01-61044	391-1781-020
Not Shown	30/30 PIGGY BACK CONNECTING SHAFT	A01-50-00400	312-1133-002
Not Shown	50/30 PIGGY BACK CONNECTING SHAFT	A02-50-00400	312-1133-003
Not Shown	75/30 PIGGY BACK CONNECTING SHAFT	A03-50-00400	316-1133-003

**NOTE (eg.)** The **XX** shown in the part number is in place of the size the true value must be placed into the part number when ordering parts.  
 Gear set no. A30-50-XX000 changes to A30-50-15000 for 1.5" gear size  
 Housing no. A31-32-XX000 changes to A31-32-15000 for a 1.5" housing size  
 No porting sizes have been indicated all porting must be specified when ordering parts.



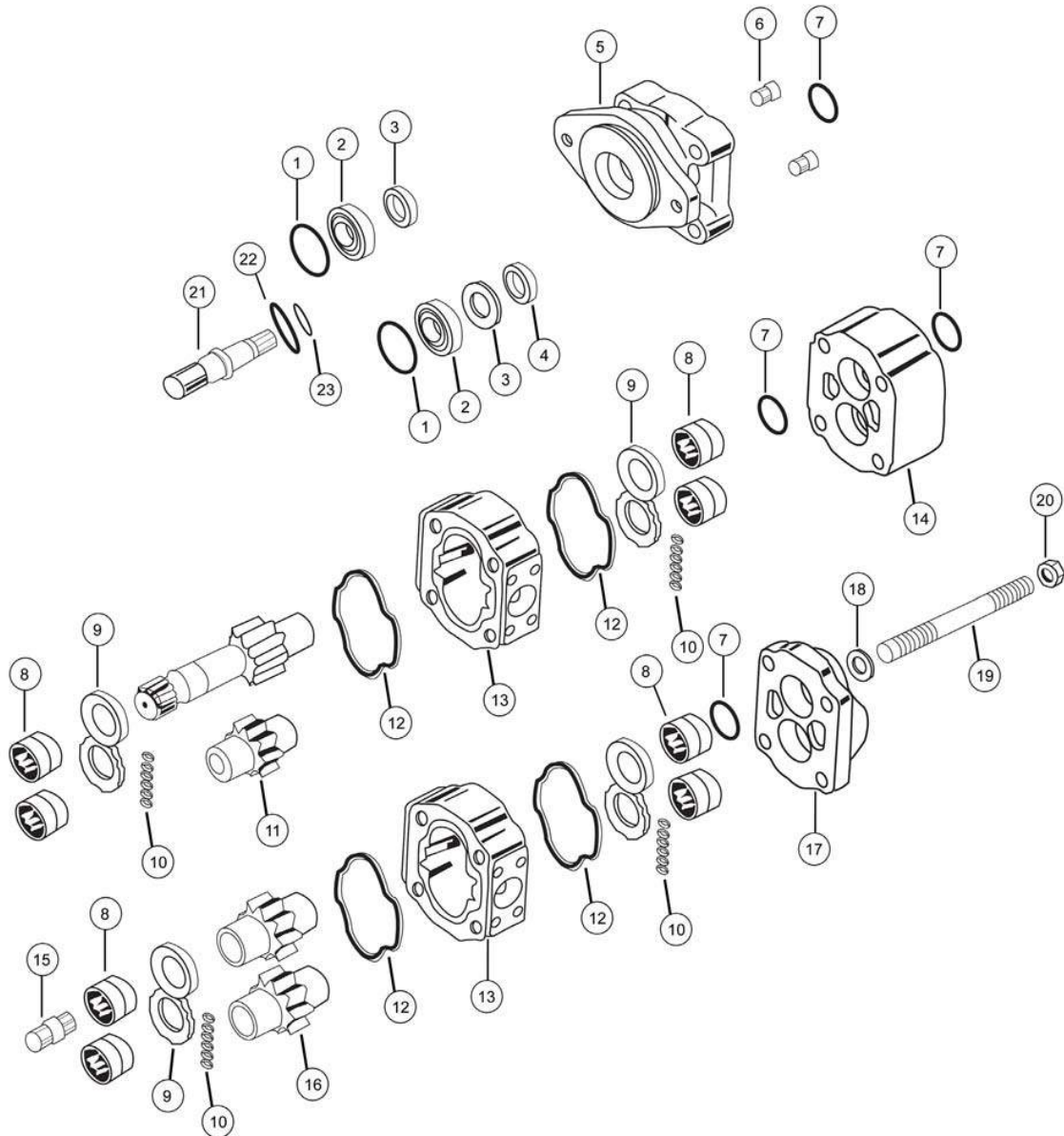
## RPGP 50

DRW. NO.	DESCRIPTION	RCHC NO.	GENERAL NO.
1	SHAFT BRG. SNAP RING	X05-03-77250	391-2686-065
2 a	BEARING SPACER & SEAL RETAINER FOR MOTORS	A50-60-10000	391-3383-087
2 b	INPUT SHAFT BEARING	X03-16-13272	391-0381-077
3	MOTOR SEAL RETAINER USED WITH SHAFT BEARING	A50-60-30000	391-3383-020
4 a	PUMP LIP SEAL	X83-11-03308	391-2883-103
4 b	MOTOR LIP SEAL	X83-36-03309	391-2883-115
4 c	PUMP LIP SEAL FOR CONTINENTAL SHAFT ONLY	X89-11-03308	391-2883-133
5 a	50 PAD PILOT PUMP SHAFT END COVER TYPE 00	A50-10-21100	313-5013-201
5 b	50 4 BOLT B PILOT PUMP SHAFT END COVER TYPE 42 (4" or 101,6 mm pilot)	A50-10-21420	313-5033-201
5 c	50 4 BOLT C PILOT PUMP SHAFT END COVER TYPE 78 (5" or 127 mm pilot)	A50-10-21430	313-5033-202
5 d	50 2 BOLT B PILOT PUMP SHAFT END COVER TYPE 97 (4" or 101,6 mm pilot)	A50-10-21220	313-5023-204
5 e	50 2 BOLT C PILOT PUMP SHAFT END COVER TYPE 98 (5" or 127 mm pilot)	A50-10-21230	313-5023-203
5 f	50 2 BOLT B (TYPE 2) PILOT PUMP SHAFT END COVER TYPE 96 (4" or 101,6 mm pilot)	A50-10-22220	313-5029-201
5 g	50 2 BOLT C (TYPE 2) PILOT PUMP SHAFT END COVER TYPE 99 (5" or 127 mm pilot)	A50-10-22230	313-5029-202
5 h	50/50 SHAFT END COVER FOR PIGGYBACK UNITS TYPE 91	A41-10-21500	313-5029-206
5 i	75/50 SHAFT END COVER FOR PIGGYBACK UNITS TYPE 92	A42-10-21500	313-5029-207
5 j	50 PAD PILOT MOTOR SHAFT END COVER TYPE 00	A50-10-41100	313-5013-202
5 k	50 4 BOLT B PILOT MOTOR SHAFT END COVER TYPE 42 (4" or 101,6 mm pilot)	A50-10-41420	313-5033-405
5 L	50 4 BOLT C PILOT MOTOR SHAFT END COVER TYPE 78 (5" or 127 mm pilot)	A50-10-41430	313-5033-403
5 m	50 2 BOLT B PILOT MOTOR SHAFT END COVER TYPE 97 (4" or 101,6 mm pilot)	A50-10-41220	313-5023-206
5 n	50 2 BOLT C PILOT MOTOR SHAFT END COVER TYPE 98 (5" or 127 mm pilot)	A50-10-41230	313-5023-205
6 a	CHECK VALVE MOTOR	A00-75-11000	391-3681-001
6 b	PRESSURE PLUG PUMP	X02-03-32110	391-2286-004
7	RING SEAL	X81-76-03305	391-2585-009
8	ROLLER BEARING (Ø 1.937" O.D.)	X03-25-13349	391-0381-059
9 a	PUMP & MOTOR THRUST PLATE	A25-70-10000	391-2185-012
9 b	DRY VALVE THRUST PLATE	A50-70-10000	391-2185-041
10	POCKET SEAL	X85-11-00002	391-2882-050
11 a	SHAFT & GEAR 14 TOOTH SPLINE 1.228" maj. dia. TYPE 7	A50-50-XX245	313-29XX-250
11 b	SHAFT & GEAR 1.250" KEYED (5/16") TYPE 11	A50-50-XX145	313-29XX-750
11 c	SHAFT & GEAR SET 13 TOOTH SPLINE 0.858" maj. dia TYPE 25	A50-50-XX225	313-29XX-230
11 d	SHAFT & GEAR SET 0.9984" dia. KEYED (1/4" x 3/8" x 1 1/4") TYPE 43	A50-50-XX135	313-29XX-740
11 e	SHAFT & GEAR 14 TOOTH SPLINE 1.228" maj. dia. TYPE 53 TYPE 2	A50-50-XX246	313-29XX-450
11 f	SHAFT & GEAR SET 13 TOOTH SPLINE 0.858" maj. dia TYPE 65 TYPE 2	A50-50-XX226	313-29XX-430
12	PUMP & MOTOR HOUSING GASKET	X85-11-10803	391-2884-021
13	PUMP & MOTOR GEAR HOUSING	A25-32-XX000	303-80XX-100
14 a	50 MOTOR BEARING CARRIER BLANK	A50-40-00000	313-7300-100
14 b	50 PUMP BEARING CARRIER WITH COMMON PASSAGE	A50-40-20000	313-7363-100
15	CONNECTING SHAFT	A50-50-00500	313-1133-001
16	GEAR SET ONLY	A50-50-XX000	313-28XX-000
17 a	50 PUMP & MOTOR PORT END COVER	A50-22-00000	313-3100-100
17 b	50 PUMP & MOTOR PORT END COVER SPECIAL LARGER PORTING	A50-27-00000	313-3400-100
17 c	50 PIGGY BACK REAR PORT END COVER	A50-22-03000	313-5029-205
18	FLAT WASHER (5/8")	X45-10-17005	391-3784-028
19	BOLTS / STUDS (5/8"-UNC)	See page	Fasteners
20	HEX NUT (5/8"-UNC)	X42-11-16000	391-1451-076
21 a	CONTINENTAL SHAFT TYPE 11 (1 1/4" Ø KEYED 5/16")	A50-50-00141	313-1500-500
21 b	CONTINENTAL SHAFT TYPE 7 (1.250" Ø - 14 TOOTH SPLINE)	A50-50-00241	313-1135-194
21 c	CONTINENTAL SHAFT TYPE 25 (0.875" Ø - 13 TOOTH SPLINE)	A50-50-00221	313-1000-300
21 d	CONTINENTAL SHAFT TYPE 43 (1.00" Ø x 1/4" x 3/8" x 1 1/4" key)	A50-50-00131	313-1500-400
21 e	CONTINENTAL SHAFT TYPE 73 LONG (1 1/4" Ø KEYED 5/16")	A50-50-00147	313-1500-502
21 f	CONTINENTAL SHAFT TYPE 98 - SPLINED - SAE BB 15T	A50-50-00231	313-1000-400
22	CONTINENTAL SHAFT BRG. RETAINER (MAY NOT BE REQUIRED)	A50-60-20000	391-3381-046
23	CONTINENTAL SHAFT BRG. RETAINER SNAP RING (MAY NOT BE REQUIRED)	X05-02-35120	391-2685-040
Not Shown	SEAL RETAINER FOR 51/51 PIGGY BACK PUMP S.E.C.	A30-60-10001	391-2584-063
Not Shown	SEAL RETAINER O RING FOR PIGGY BACK PUMP S.E.C.	X81-11-04704	391-2881-124
Not Shown	SEAL RETAINER O RING FOR PIGGY BACK PUMP S.E.C.	X81-11-05704	391-2881-120

# RPGP 50

DRW. NO.	DESCRIPTION	RCHC NO.	GENERAL NO.
Not Shown	SEAL RETAINER FOR 76/51 PIGGY BACK PUMP S.E.C.	A50-60-10003	391-2585-013
Not Shown	DRY VALVE SEAL RETAINER	A50-60-10001	391-2584-050
Not Shown	CASE DRAIN PLUG	X02-03-22060	391-2282-056
Not Shown	PUMP LIP SEAL FOR PIGGY BACK S.E.C.& P.E.C.	X83-11-02708	391-2883-058
Not Shown	SHAFT KEY FOR TYPE 73 SHAFT	X01-01-81257	391-1781-008
Not Shown	SHAFT KEY FOR TYPE 43 SHAFT	X01-01-61032	391-1781-021
Not Shown	SHAFT KEY FOR TYPE 11 SHAFT	X01-01-81238	391-1781-045
Not Shown	50/50 PIGGY BACK CONNECTING SHAFT	A41-50-00400	313-1133-004
Not Shown	75/50 PIGGY BACK CONNECTING SHAFT	A42-50-00400	313-1133-003

**NOTE** The **XX** shown in the part number is in place of the size the true value must be placed into the part number when ordering parts.  
**(eg.)** Gear set no. A50-50-XX000 changes to A50-50-15000 for 1.5" gear size  
Housing no. A25-32-XX000 changes to A25-32-15000 for a 1.5" housing size  
No porting sizes have been indicated all porting must be specified when ordering parts.



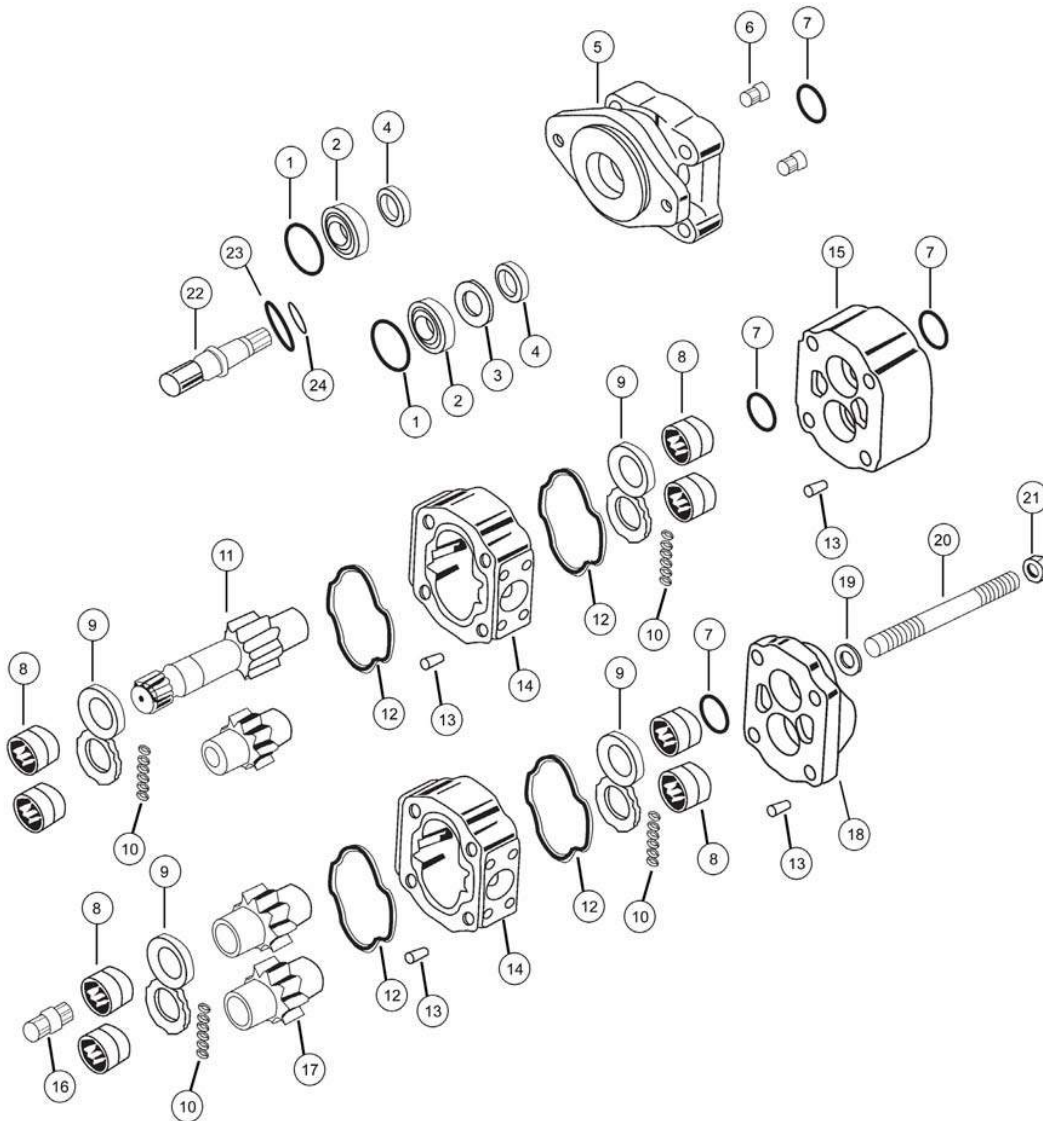
## RPGP 51

DRW. NO.	DESCRIPTION	RCHC NO.	GENERAL NO.
1	SHAFT BRG. SNAP RING	X05-03-77250	391-2686-065
2 a	BEARING SPACER & SEAL RETAINER FOR MOTORS	A50-60-10000	391-3383-087
2 b	INPUT SHAFT BEARING	X03-16-13272	391-0381-077
3	MOTOR SEAL RETAINER USED WITH SHAFT BEARING	A50-60-30000	391-3383-020
4 a	PUMP LIP SEAL	X83-11-03308	391-2883-103
4 b	MOTOR LIP SEAL	X83-36-03309	391-2883-115
4 c	PUMP LIP SEAL FOR CONTINENTAL SHAFT ONLY	X89-11-03308	391-2883-133
5 a	51 PAD PILOT PUMP SHAFT END COVER TYPE 00	A51-10-21100	313-5017-201
5 b	51 4 BOLT B PILOT PUMP SHAFT END COVER TYPE 42 (4" or 101,6 mm pilot)	A51-10-21420	313-5037-201
5 c	51 4 BOLT C PILOT PUMP SHAFT END COVER TYPE 78 (5" or 127 mm pilot)	A51-10-21430	313-5037-202
5 d	51 2 BOLT B PILOT PUMP SHAFT END COVER TYPE 97 (4" or 101,6 mm pilot)	A51-10-21220	313-5027-201
5 e	51 2 BOLT C PILOT PUMP SHAFT END COVER TYPE 98 (5" or 127 mm pilot)	A51-10-21230	313-5027-202
5 f	51 2 BOLT B (TYPE 2) PILOT PUMP SHAFT END COVER TYPE 96 (4" or 101,6 mm pilot)	A51-10-22220	313-5027-205
5 g	51 2 BOLT C (TYPE 2) PILOT PUMP SHAFT END COVER TYPE 99 (5" or 127 mm pilot)	A51-10-22230	313-5027-206
5 h	51/51 SHAFT END COVER FOR PIGGYBACK UNITS TYPE 91	A43-10-21500	313-5027-208
5 i	76/51 SHAFT END COVER FOR PIGGYBACK UNITS TYPE 92	A44-10-21500	313-5027-209
5 j	51 PAD PILOT MOTOR SHAFT END COVER TYPE 00	A51-10-41100	313-5017-401
5 k	51 4 BOLT B PILOT MOTOR SHAFT END COVER TYPE 42 (4" or 101,6 mm pilot)	A51-10-41420	313-5037-401
5 L	51 4 BOLT C PILOT MOTOR SHAFT END COVER TYPE 78 (5" or 127 mm pilot)	A51-10-41430	313-5037-402
5 m	51 2 BOLT B PILOT MOTOR SHAFT END COVER TYPE 97 (4" or 101,6 mm pilot)	A51-10-41220	313-5027-401
5 n	51 2 BOLT C PILOT MOTOR SHAFT END COVER TYPE 98 (5" or 127 mm pilot)	A51-10-41230	313-5027-402
6 a	CHECK VALVE MOTOR	A00-75-11000	391-3681-001
6 b	PRESSURE PLUG PUMP	X02-03-32110	391-2286-004
7	RING SEAL	X81-76-03305	391-2585-009
8	ROLLER BEARING (Ø 1.937" O.D.)	X03-25-13349	391-0381-059
9 a	PUMP THRUST PLATE	A51-70-20000	391-2185-029
9 b	MOTOR THRUST PLATE	A25-70-10000	391-2185-012
9 c	DRY VALVE THRUST PLATE	A50-70-10000	391-2185-041
10	POCKET SEAL	X85-11-00002	391-2882-050
11 a	SHAFT & GEAR 14 TOOTH SPLINE 1.228" maj. dia. TYPE 7	A50-50-XX245	313-29XX-250
11 b	SHAFT & GEAR 1.250" KEYED (5/16") TYPE 11	A50-50-XX145	313-29XX-750
11 c	SHAFT & GEAR SET 13 TOOTH SPLINE 0.858" maj. dia TYPE 25	A50-50-XX225	313-29XX-230
11 d	SHAFT & GEAR SET 0.9984" dia. KEYED (1/4" x 3/8" x 1 1/4") TYPE 43	A50-50-XX135	313-29XX-740
11 e	SHAFT & GEAR 14 TOOTH SPLINE 1.228" maj. dia. TYPE 53 TYPE 2	A50-50-XX246	313-29XX-450
11 f	SHAFT & GEAR SET 13 TOOTH SPLINE 0.858" maj. dia TYPE 65 TYPE 2	A50-50-XX226	313-29XX-430
12	PUMP & MOTOR HOUSING GASKET	X85-11-10803	391-2884-021
13	HOUSING DOWELL PIN	A00-94-11025	391-2082-032
14	PUMP & MOTOR GEAR HOUSING	A51-32-XX000	313-82XX-100
15 a	51 MOTOR BEARING CARRIER BLANK	A51-40-00000	313-7740-100
15 b	51 PUMP BEARING CARRIER WITH COMMON PASSAGE	A51-40-20000	313-7723-100
16	CONNECTING SHAFT	A50-50-00500	313-1133-001
17	GEAR SET ONLY	A50-50-XX000	313-28XX-000
18 a	51 PUMP & MOTOR PORT END COVER	A51-22-00000	313-3120-100
18 b	51 PUMP & MOTOR PORT END COVER SPECIAL LARGER PORTING	A51-27-00000	313-3420-100
18 c	51 PIGGY BACK REAR PORT END COVER	A51-22-03000	313-5027-212
19	FLAT WASHER (5/8")	X45-10-17005	391-3784-028
20	BOLTS / STUDS (5/8"-UNC)	See page	Fasteners
21	HEX NUT (5/8"-UNC)	X42-11-16000	391-1451-076
22 a	CONTINENTAL SHAFT TYPE 11 (1.250" Ø KEYED 5/16")	A50-50-00141	313-1500-500
22 b	CONTINENTAL SHAFT TYPE 7 (1.250" Ø - 14 TOOTH SPLINE)	A50-50-00241	313-1135-194
22 c	CONTINENTAL SHAFT TYPE 25 (0.875" Ø- 13 TOOTH SPLINE)	A50-50-00221	313-1000-300
22 d	CONTINENTAL SHAFT TYPE 43 (1.00" Ø x 1/4" x 3/8" x 1 1/4" key)	A50-50-00131	313-1500-400
22 e	CONTINENTAL SHAFT TYPE 73 LONG (1.250" Ø KEYED 5/16")	A50-50-00147	313-1500-502
23	CONTINENTAL SHAFT BRG. RETAINER (MAY NOT BE REQUIRED)	A50-60-20000	391-3381-046
24	CONTINENTAL SHAFT BRG. RETAINER SNAP RING (MAY NOT BE REQ)	X05-02-35120	391-2685-040
Not Shown	SEAL RETAINER FOR 51/51 PIGGY BACK PUMP S.E.C.	A30-60-10001	391-2584-063
Not Shown	SEAL RETAINER O RING FOR PIGGY BACK PUMP S.E.C.	X81-11-04704	391-2881-124

# RPGP 51

DRW. NO.	DESCRIPTION	RCHC NO.	GENERAL NO.
Not Shown	SEAL RETAINER O RING FOR PIGGY BACK PUMP S.E.C.	X81-11-05704	391-2881-120
Not Shown	SEAL RETAINER FOR 76/51 PIGGY BACK PUMP S.E.C.	A50-60-10003	391-2585-013
Not Shown	CASE DRAIN PLUG	X02-03-22060	391-2282-056
Not Shown	DRY VALVE SEAL RETAINER	A50-60-10001	391-2584-050
Not Shown	PUMP LIP SEAL FOR PIGGY BACK S.E.C. & P.E.C.	X83-11-02708	391-2883-058
Not Shown	SHAFT KEY FOR TYPE 73 SHAFT	X01-01-81257	391-1781-008
Not Shown	SHAFT KEY FOR TYPE 43 SHAFT	X01-01-61032	391-1781-021
Not Shown	SHAFT KEY FOR TYPE 11 SHAFT	X01-01-81238	391-1781-045
Not Shown	50/50 PIGGY BACK CONNECTING SHAFT	A41-50-00400	313-1133-004
Not Shown	75/50 PIGGY BACK CONNECTING SHAFT	A42-50-00400	313-1133-003

**NOTE** The **XX** shown in the part number is in place of the size the true value must be placed into the part number when ordering parts.  
**(eg.)** Gear set no. A50-50-XX000 changes to A50-50-15000 for a 1.5" gear size  
Housing no. A51-32-XX000 changes to A51-32-15000 for a 1.5" housing size  
No porting sizes have been indicated all porting must be specified when ordering parts.

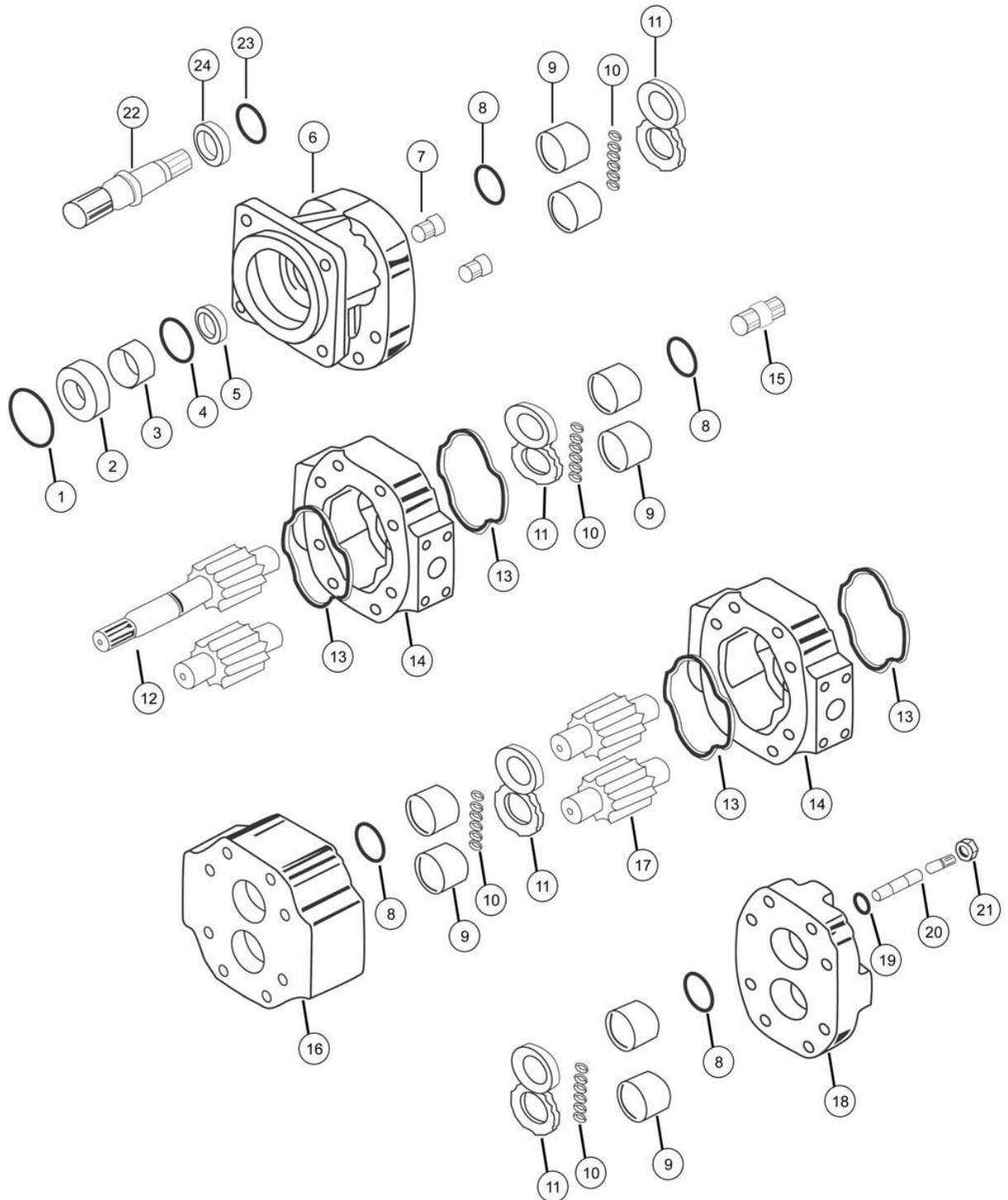


## RPGP 75

DRW. NO.	DESCRIPTION	RCHC NO.	GENERAL NO.
1	SHAFT BRG. SNAP RING	X05-01-88280	391-2686-025
2 a	INPUT SHAFT BRG.	X03-16-13580	391-0381-078
2 b	SPACER TO REPLACE SHAFT BEARING	A75-92-64800	391-3383-018
3 a	SEAL RETAINER FOR PUMPS	A75-60-10000	391-2584-082
3 b	SEAL RETAINER FOR MOTORS	A75-60-10000	391-2584-051
4	SEAL RETAINER O RING	X81-11-06603	391-2881-457
5 a	PUMP LIP SEAL	X83-11-03508	391-2883-052
5 b	MOTOR LIP SEAL	X83-36-03510	391-2883-094
5 c	75 4 BOLT B PILOT PUMP S.E.C. TYPE 42 (4" or 101,6 mm pilot)	A75-10-21420	316-5033-201
6 b	75 4 BOLT C PILOT PUMP S.E.C. TYPE 78 (5" or 127 mm pilot)	A75-10-21430	316-5033-202
6 c	75 4 BOLT D PILOT PUMP S.E.C. TYPE 80 (6" or 152,4 mm pilot)	A75-10-21440	316-5033-203
6 d	75 2 BOLT C PILOT PUMP S.E.C. TYPE 98 (5" or 127 mm pilot)	A75-10-41230	316-5023-201
6 e	75 4 BOLT B PILOT MOTOR S.E.C. TYPE 42 (4" or 101,6 mm pilot)	A75-10-41420	316-5033-408
6 f	75 4 BOLT C PILOT MOTOR S.E.C. TYPE 78 (5" or 127 mm pilot)	A75-10-41430	316-5033-402
6 g	75 4 BOLT D PILOT MOTOR S.E.C. TYPE 80 (6" or 152,4 mm pilot)	A75-10-41440	316-5033-403
6 h	75 2 BOLT C PILOT MOTOR S.E.C. TYPE 98 (5" or 127 mm pilot)	A75-10-41230	316-5023-202
7 a	CHECK VALVE MOTOR	A00-75-11000	391-3681-001
7 b	PRESSURE PLUG PUMP	X02-03-32110	391-2286-004
8	RING SEAL	X81-76-03809	391-2585-011
9	ROLLER BEARING (Ø 2.322" O.D.)	X03-25-13859	391-0381-060
10	POCKET SEAL	X85-11-00003	391-2882-052
11 a	MOTOR & PUMP THRUST PLATE	A75-70-10000	391-2185-020
11 b	DRY VALVE THRUST PLATE	A75-70-21000	391-2185-072
Not Shown	DRY VALVE THRUST PLATE SEAL	A75-82-96010	391-2885-040
12 a	SHAFT & GEAR 14 TOOTH SPLINE 1.228" maj. dia. TYPE 7	A75-50-XX245	316-29XX-250
12 b	SHAFT & GEAR 1.250" KEYED (5/16") TYPE 11	A75-50-10145	316-29XX-750
13	PUMP & MOTOR HOUSING GASKET	X85-11-13303	391-2884-024
14	PUMP & MOTOR GEAR HOUSING	A75-32-XX000	316-80XX-100
15	CONNECTING SHAFT	A75-50-00500	316-1133-001
16 a	75 MOTOR BEARING CARRIER BLANK	A75-40-00000	316-7300-100
16 b	75 PUMP BEARING CARRIER WITH COMMON PASSAGE	A75-40-20000	316-7363-100
17	GEAR SET ONLY	A75-50-XX000	316-28XX-000
18	75 PUMP & MOTOR PORT END COVER	A75-22-00000	316-3100-100
19	FLAT WASHER (5/8")	X45-10-17005	391-3784-028
20	BOLTS / STUDS (5/8"-UNC)	See page	Fasteners
21	HEX NUT (5/8"-UNC)	X42-11-16000	391-1451-076
22 a	CONTINENTAL SHAFT 14 TOOTH SPLINE 1.228" maj. dia. TYPE 7	A75-50-00241	316-1135-148
22 b	CONTINENTAL SHAFT 1.250" KEYED (5/16") TYPE 11	A75-50-00141	316-1135-147
22 c	CONTINENTAL SHAFT 14 TOOTH SPLINE 1.228". Dia. TYPE 7 Long	A75-50-00244	316-1500-502
22 d	CONTINENTAL SHAFT 1.250" KEYED (5/16") TYPE 11 Long	A75-50-00144	316-1500-501
23	CONTINENTAL SHAFT BRG. RETAINER SNAP RING	X05-02-38130	391-2685-029
24	CONTINENTAL SHAFT BRG. RETAINER	A75-60-20000	391-3381-039
Not Shown	PUMP LIP SEAL FOR PIGGY BACK P.E.C.	X83-11-03308	391-2883-103
Not Shown	PIGGY BACK CONNECTING SHAFT	A03-50-00400	316-1133-003
Not Shown	75 PIGGY BACK REAR PORT END COVER	A75-22-03000	316-5026-203
Not Shown	DRIVE KEY FOR TYPE 11 SHAFT	X01-01-81238	391-1781-045
Not Shown	SHAFT KEY FOR TYPE 11 SHAFT	X01-01-81238	391-1781-045
Not Shown	DRY VALVE ASSEMBLY 1 1/2" CONNECTION	A00-75-12150	316- PMV-24
Not Shown	DRY VALVE ASSEMBLY 2" CONNECTION	A00-75-12200	316- PMV-32

**NOTE** The **XX** shown in the part number is in place of the size the true value must be placed into the part number when ordering parts.  
 (eg.) Gear set no. A75-50-XX000 changes to A75-50-15000 for 1.5" gear size  
 Housing no. A75-32-XX000 changes to A75-32-15000 for a 1.5" housing size  
 No porting sizes have been indicated all porting must be specified when ordering parts.

# RPGP 75

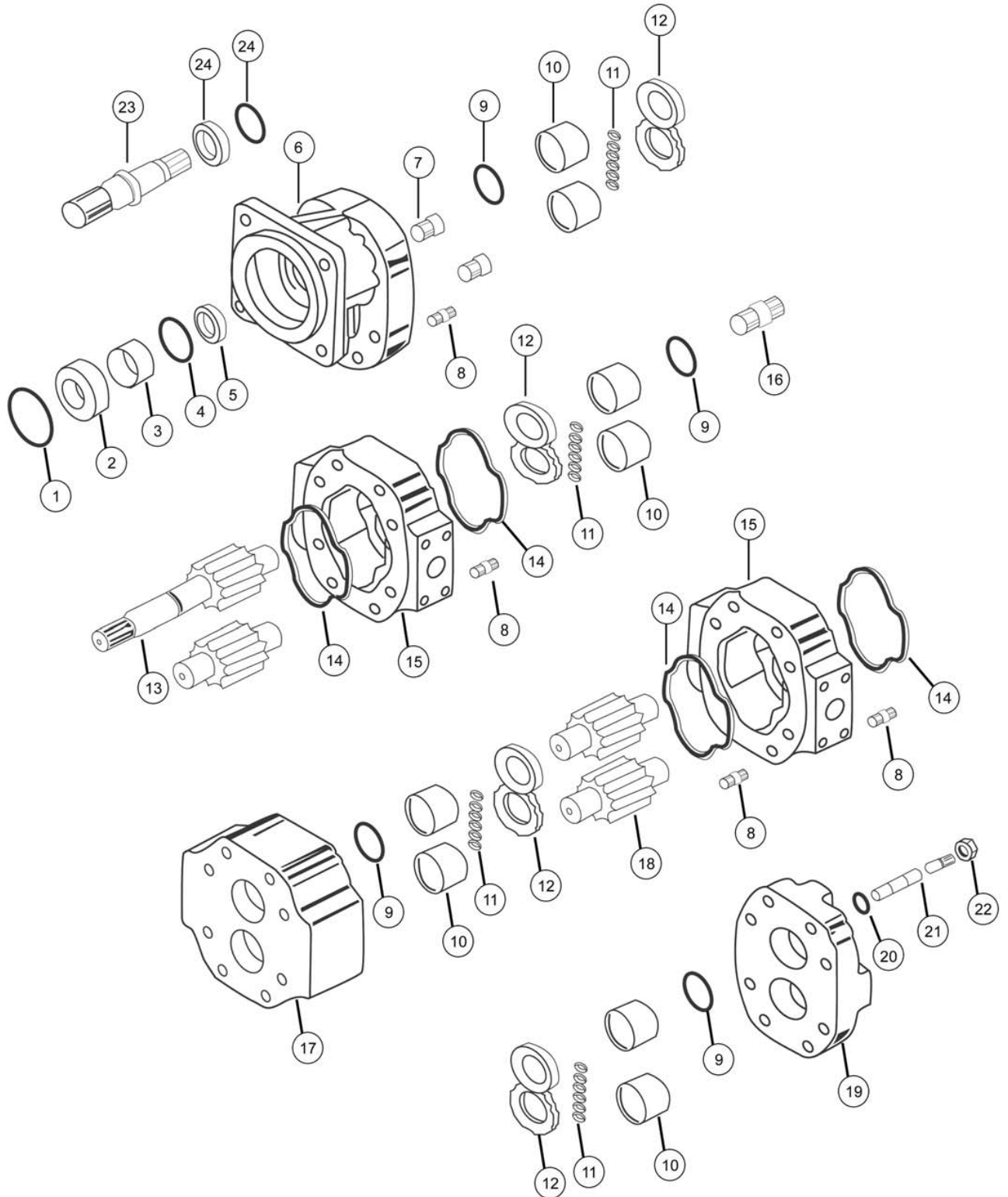


## RPGP 76

DRW. NO.	DESCRIPTION	RCHC NO.	GENERAL NO.
1	SHAFT BRG. SNAP RING	X05-01-88280	391-2686-025
2 a	INPUT SHAFT BRG.	X03-16-13580	391-0381-078
2 b	SPACER TO REPLACE SHAFT BEARING	A75-92-64800	391-3383-018
3 a	SEAL RETAINER FOR PUMPS	A75-60-10000	391-2584-082
3 b	SEAL RETAINER FOR MOTORS	A75-60-10000	391-2584-051
4	SEAL RETAINER O RING	X81-11-06603	391-2881-457
5 a	PUMP LIP SEAL	X83-11-03508	391-2883-052
5 b	MOTOR LIP SEAL	X83-36-03510	391-2883-094
6 a	76 4 BOLT B PILOT PUMP S.E.C. TYPE 42 (4" or 101,6 mm pilot)	A76-10-21420	316-5037-201
6 b	76 4 BOLT C PILOT PUMP S.E.C. TYPE 78 (5" or 127 mm pilot)	A76-10-21430	316-5037-202
6 c	76 4 BOLT D PILOT PUMP S.E.C. TYPE 80 (6" or 152,4 mm pilot)	A76-10-21440	316-5037-203
6 d	76 2 BOLT C PILOT PUMP S.E.C. TYPE 98 (5" or 127 mm pilot)	A76-10-21230	316-5027-202
6 e	76 4 BOLT B PILOT MOTOR S.E.C. TYPE 42 (4" or 101,6 mm pilot)	A76-10-41420	316-5037-401
6 f	76 4 BOLT C PILOT MOTOR S.E.C. TYPE 78 (5" or 127 mm pilot)	A76-10-41430	316-5037-402
6 g	76 4 BOLT D PILOT MOTOR S.E.C. TYPE 80 (6" or 152,4 mm pilot)	A76-10-41440	316-5037-403
6 h	76 2 BOLT C PILOT MOTOR S.E.C. TYPE 98 (5" or 127 mm pilot)	A76-10-41230	316-5027-402
7 a	CHECK VALVE MOTOR	A00-75-11000	391-3681-001
7 b	PRESSURE PLUG PUMP	X02-03-32110	391-2286-004
8	DOWEL PIN	A00-94-11638	391-2082-033
9	RING SEAL	X81-76-03809	391-2585-011
10	ROLLER BEARING (Ø 2.322" O.D.)	X03-25-13859	391-0381-060
11	POCKET SEAL	X85-11-00003	391-2882-052
12 a	PUMP THRUST PLATE	A76-70-20000	391-2185-026
12 b	MOTOR THRUST PLATE	A75-70-10000	391-2185-020
12 c	DRY VALVE THRUST PLATE	A75-70-21000	391-2185-072
Not Shown	DRY VALVE THRUST PLATE SEAL	A75-82-96010	391-2885-040
13 a	SHAFT & GEAR 14 TOOTH SPLINE 1.228" maj. dia. TYPE 7	A75-50-XX245	316-29XX-250
13 b	SHAFT & GEAR 1.250" KEYED (5/16") TYPE 11	A75-50-XX145	316-29XX-750
14	PUMP & MOTOR HOUSING GASKET	X85-11-13303	391-2884-024
15	PUMP & MOTOR GEAR HOUSING	A76-32-XX000	316-82XX-100
16	CONNECTING SHAFT	A75-50-00500	316-1133-001
17 a	76 MOTOR BEARING CARRIER BLANK	A76-40-00000	316-7740-100
17 b	76 PUMP BEARING CARRIER WITH COMMON PASSAGE	A76-40-20000	316-7723-100
18	GEAR SET ONLY	A75-50-XX000	316-28XX-000
19	76 PUMP & MOTOR PORT END COVER	A76-22-00000	316-3120-100
20	FLAT WASHER (5/8")	X45-10-17005	391-3784-028
21	BOLTS / STUDS (5/8"-UNC)	See page	Fasteners
22	HEX NUT (5/8"-UNC)	X42-11-16000	391-1451-076
23 a	CONTINENTAL SHAFT 14 TOOTH SPLINE 1.228" maj. dia. TYPE 7	A75-50-00241	316-1135-148
23 b	CONTINENTAL SHAFT 1.250" KEYED (5/16") TYPE 11	A75-50-00141	316-1135-147
23 c	CONTINENTAL SHAFT 14 TOOTH SPLINE 1.228". Dia. TYPE 7 Long	A75-50-00244	316-1500-502
23 d	CONTINENTAL SHAFT 1.250" KEYED (5/16") TYPE 11 Long	A75-50-00144	316-1500-501
24	CONTINENTAL SHAFT BRG. RETAINER	A75-60-20000	391-3381-039
25	CONTINENTAL SHAFT BRG. RETAINER SNAP RING	X05-02-38130	391-2685-029
Not Shown	PIGGY BACK CONNECTING SHAFT	A03-50-00400	316-1133-003
Not Shown	PUMP LIP SEAL FOR PIGGY BACK P.E.C.	X83-11-03308	391-2883-103
Not Shown	76 PIGGY BACK REAR PORT END COVER	A76-22-03000	316-5027-213
Not Shown	DRIVE KEY FOR TYPE 11 SHAFT	X01-01-81238	391-1781-045
Not Shown	DRY VALVE ASSEMBLY 1 1/2" CONNECTION	A00-75-12150	316- PMV-24
Not Shown	DRY VALVE ASSEMBLY 2" CONNECTION	A00-75-12200	316- PMV-32

**NOTE** The **XX** shown in the part number is in place of the size the true value must be placed into the part number when ordering parts.  
**(eg.)** Gear set no. A75-50-XX000 changes to A75-50-15000 for 1.5" gear size  
Housing no. A76-32-XX000 changes to A76-32-15000 for a 1.5" housing size  
No porting sizes have been indicated all porting must be specified when ordering parts.

# RPGP 76



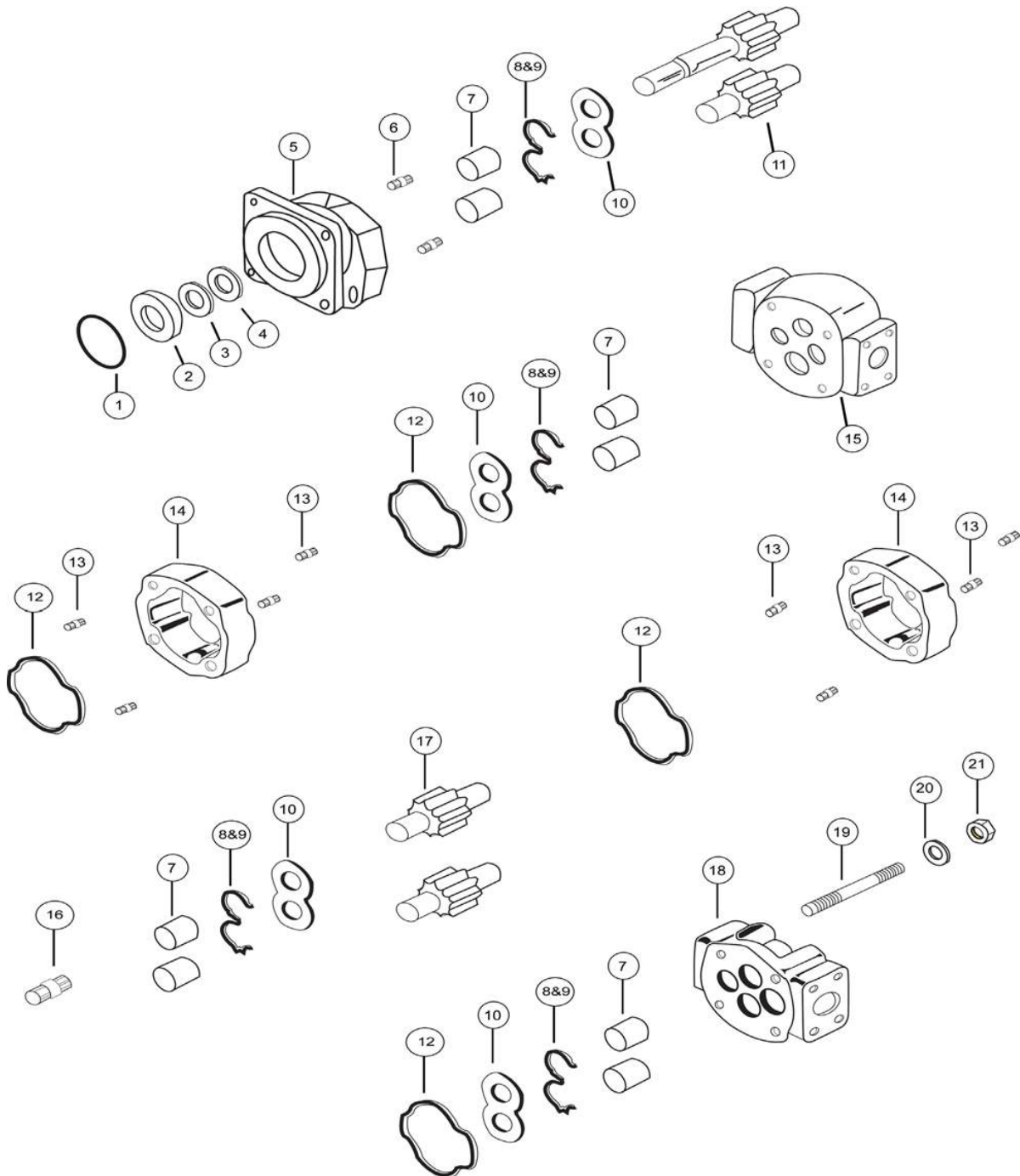
## RPGP 315

DRW. NO.	DESCRIPTION	RCHC NO.	GENERAL NO.
1	SEAL RETAINER SNAP RING MOTOR ONLY	X05-01-56190	391-2686-016
2	SHAFT BEARING ( USED IN TYPE * 90 S.E.C. )	X03-16-12251	391-0381-105
3	SEAL RETAINER FOR MOTORS ONLY	A32-60-10000	391-3384-313
4 a	PUMP LIP SEAL	X83-11-02406	391-2883-151
4 b	MOTOR LIP SEAL	X83-36-02406	391-2883-156
5 a	2 BOLT A PILOT PUMP S.E.C. WITHOUT BUSHING TYPE 93 (3 1/4" or 82,55 mm pilot)	A32-10-21211	326-5029-204
5 b	2 BOLT A PILOT PUMP S.E.C. WITH BUSHING TYPE 93 (3 1/4" or 82,55 mm pilot)	A32-10-21212	326-5129-204
5 c	2 BOLT B PILOT PUMP S.E.C. WITHOUT BUSHING TYPE 96 (4" or 101,6 mm pilot)	A32-10-21221	326-5029-203
5 d	2 BOLT B PILOT PUMP S.E.C. WITH BUSHING TYPE 96 (4" or 101,6 mm pilot)	A32-10-21222	326-5129-203
5 e	2 BOLT A PILOT MOTOR S.E.C. WITHOUT BUSHING TYPE 93 (3 1/4" or 82,55 mm pilot)	A32-10-41211	326-5029-404
5 f	2 BOLT A PILOT MOTOR S.E.C. WITH BUSHING TYPE 93 (3 1/4" or 82,55 mm pilot)	A32-10-41213	326-5129-404
5 g	2 BOLT B PILOT MOTOR S.E.C. WITHOUT BUSHING TYPE 96 (4" or 101,6 mm pilot)	A32-10-41221	326-5029-403
5 h	2 BOLT B PILOT MOTOR S.E.C. WITH BUSHING TYPE 96 (4" or 101,6 mm pilot)	A32-10-41222	326-5129-403
5 i	4 BOLT 72 X 100 mm / 80mm PILOT WITHOUT BUSHING TYPE 90	A32-10-21491	326-5033-205
5 j	4 BOLT 72 X 100 mm / 80mm PILOT WITH BUSHING TYPE 90	A32-10-21492	326-5133-205
5 k	PAD MOUNT WITHOUT BUSHING TYPE 95	N/A	326-5016-202
5 L	PAD MOUNT WITH BUSHING TYPE 95	N/A	326-5116-202
5 m	2 BOLT A PILOT SEC TYPE 89 W/ SNAP RING	A32-10-41212	326-5029-426
6 a	CHECK VALVE MOTOR	A00-75-11000	391-3681-001
6 b	PRESSURE PLUG PUMP (may not be required)	X02-03-32110	391-2286-004
7	SHAFT BUSHING		391-0482-195
8	PUMP BUNA SEAL	A32-82-11030	391-2883-168
9	PUMP NYLON BACKUP SEAL	A32-82-46010	391-2883-169
Not Shown	MOTOR NYLON BACKUP SEAL	A32-82-46030	391-2881-995
Not Shown	MOTOR THRUST PLATE SIDE SEAL	A32-82-14022	391-2881-997
Not Shown	MOTOR THRUST PLATE END SEAL	A32-82-14021	391-2881-996
10 a	PUMP THRUST PLATE	A32-70-20000	391-2185-063
10 b	MOTOR THRUST PLATE	A32-70-10000	391-2185-070
11 a	SHAFT & GEAR SAE "A" 0.625" dia. KEYED TYPE 97	A32-50-XX111	326-29XX-920
11 b	SHAFT & GEAR SAE " A" 9 TOOTH SPLINE 0.609" maj. dia. TYPE 96	A32-50-XX211	326-29XX-420
11 c	SHAFT & GEAR SAE "B" 0.875" dia. KEYED TYPE 66	A32-50-XX126	326-29XX-930
11 d	SHAFT & GEAR SAE " B" 13-TOOTH SPLINE 0.858" maj. dia. TYPE 65	A32-50-05226	326-29XX-430
11 e	SHAFT & GEAR TAPERED M12 X 1.5 THD & 3X5 KEYED TYPE 60	N/A	326-29XX-701
11 f	SHAFT & GEAR TAPERED 5/16 INTERNAL THD #6 WDF KEY TYPE 56	N/A	326-29XX-604
12 a	PUMP HOUSING GASKET	X85-11-08203	391-2881-968
12 b	MOTOR HOUSING GASKET	X85-11-08903	391-2881-429
13	HOUSING DOWELL PIN	A00-94-10616	391-2082-071
14 a	PUMP GEAR HOUSING	A32-33-XX000	326-81XX-100
14 b	MOTOR GEAR HOUSING	A32-32-XX000	326-82XX-100
15 a	315 BEARING CARRIER 1 OUTLET WITHOUT BUSHING	A32-40-21000	326-7100-100
15 b	315 BEARING CARRIER 1 OUTLET WITH BUSHING	A32-40-31000	326-7600-100
15 c	315 BEARING CARRIER 2 OUTLET WITHOUT BUSHING	A32-40-22000	326-7300-100
15 d	315 BEARING CARRIER 2 OUTLET WITH BUSHING	A32-40-32000	326-7800-100
16	CONNECTING SHAFT	A32-50-00500	326-1133-001
17	GEAR SET ONLY	A32-50-XX000	326-28XX-000
18 a	315 PUMP P.E.C. NO PORTING WITHOUT BUSHING	A32-23-00000	326-3000-100
18 b	315 PUMP P.E.C. NO PORTING WITH BUSHING	A32-23-10000	326-3100-100
18 c	315 PUMP P.E.C. SIDE PORTING TYPE WITHOUT BUSHING	A32-23-01000	326-3030-100
18 d	315 PUMP P.E.C. SIDE PORTING TYPE WITH BUSHING	A32-23-11000	326-3130-100
18 e	315 PUMP P.E.C. SIDE & REAR PORTING TYPE WITHOUT BUSHING	A32-26-18000	326-3133-100
18 f	315 PUMP P.E.C. SIDE & REAR PORTING TYPE WITH BUSHING	A32-23-08000	326-3033-100
18 g	315 MOTOR P.E.C. PORTING TYPE WITHOUT BUSHING	A32-22-02000	326-3020-100
18 h	315 MOTOR P.E.C. PORTING TYPE WITH BUSHING	A32-22-12000	326-3120-100
19	BOLTS / STUDS (1/2"-UNC)	See page	Fasteners
20	FLAT WASHER (1/2")	X45-19-13005	391-3782-132
21	HEX NUT (1/2"-UNC)	X42-11-13011	391-1451-051

# RPGP 315

DRW. NO.	DESCRIPTION	RCHC NO.	GENERAL NO.
Not Shown	CASE DRAIN PLUG	X02-03-12060	391-2281-010
Not Shown	DRIVE KEY FOR TYPE 97 SHAFT	X01-02-40419	391-1781-091
Not Shown	DRIVE KEY FOR TYPE 66 SHAFT	X01-02-60625	391-1781-085

**NOTE (eg.)** The **XX** shown in the part number is in place of the size the true value must be placed into the part number when ordering parts.  
 Gear set no. A32-50-XX000 changes to A32-50-15000 for 1.5" gear size  
 Housing no. A32-33-XX000 changes to A32-33-15000 for a 1.5" housing size  
 No porting sizes have been indicated all porting must be specified when ordering parts.



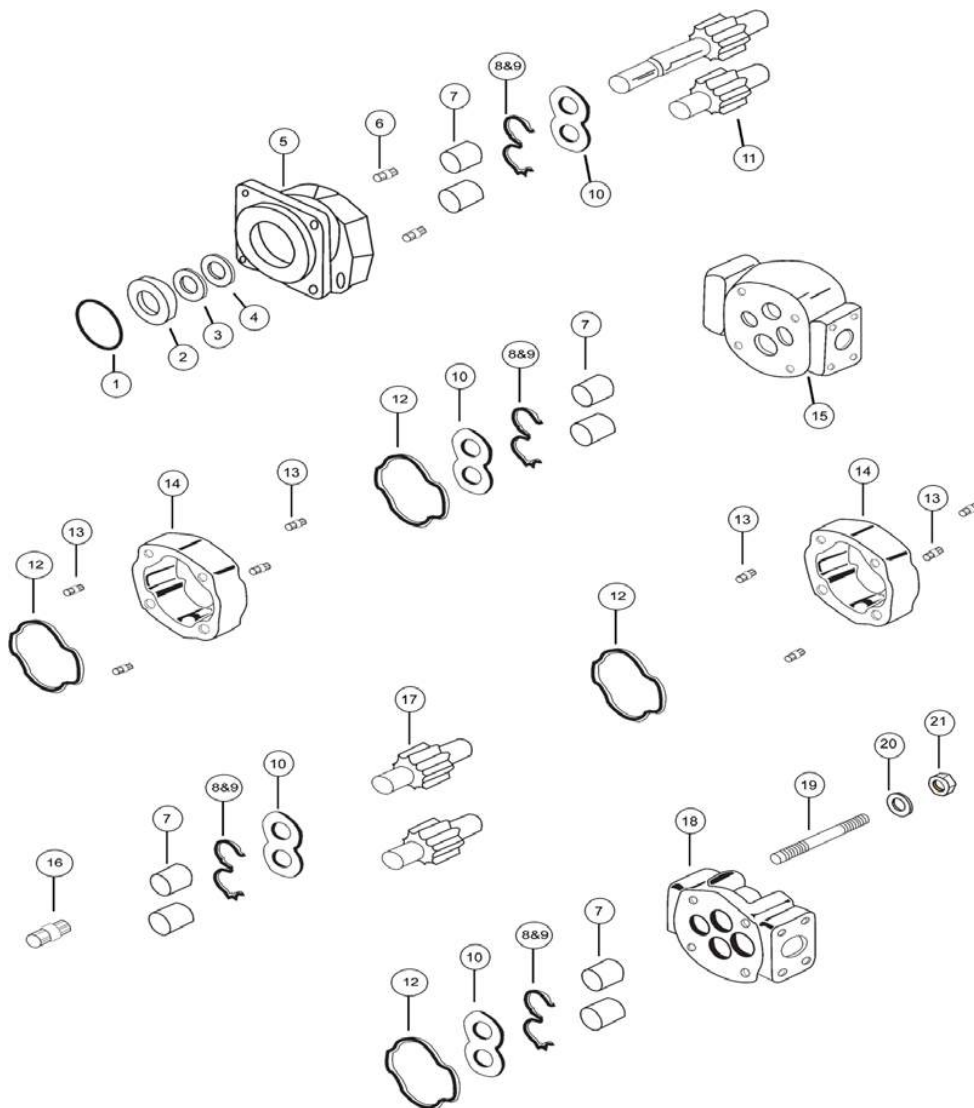
## RPGP 330

DRW. NO.	DESCRIPTION	RCHC NO.	GENERAL NO.
1	SHAFT BRG. SNAP RING	X05-03-56200	391-2686-063
2 a	INPUT SHAFT BRG.	X03-16-12552	391-0381-040
2 b	SPACER IN PLACE OF SHAFT BEARING	A30-92-38520	391-3383-069
3	SEAL RETAINER FOR MOTORS ONLY	A20-60-10000	391-3381-040
4 a	PUMP LIP SEAL	X83-11-02708	391-2883-058
4 b	MOTOR LIP SEAL	X83-36-02709	391-2883-119
4 c	PUMP LIP SEAL FOR CONTINENTAL SHAFT ONLY	X89-11-02508	391-2883-107
4 d	MOTOR LIP SEAL FOR CONTINENTAL SHAFT ONLY	X83-36-02509	391-2883-126
5 a	4 BOLT B PILOT PUMP S.E.C. WITHOUT BUSHING TYPE 42 (4" or 101,6 mm pilot)	A33-10-21421	324-5033-201
5 b	4 BOLT B PILOT PUMP S.E.C. WITH BUSHING TYPE 42 (4" or 101,6 mm pilot)	A33-10-21422	324-5133-201
5 c	4 BOLT C PILOT PUMP S.E.C. WITHOUT BUSHING TYPE 78 (5" or 127 mm pilot)	A33-10-21431	324-5033-202
5 d	4 BOLT C PILOT PUMP S.E.C. WITH BUSHING TYPE 78 (5" or 127 mm pilot)	A33-10-21432	324-5133-202
5 e	2 BOLT B PILOT PUMP S.E.C. WITHOUT BUSHING TYPE 97 (4" or 101,6 mm pilot)	A33-10-21221	324-5023-201
5 f	2 BOLT B PILOT PUMP S.E.C. WITH BUSHING TYPE 97 (4" or 101,6 mm pilot)	A33-10-21222	324-5123-201
5 g	2 & 4 BOLT B PILOT PUMP S.E.C. WITHOUT BUSHING TYPE 46 (4" or 101,6 mm pilot)	A33-10-21321	324-5053-201
5 h	2 & 4 BOLT B PILOT PUMP S.E.C. WITH BUSHING TYPE 46 (4" or 101,6 mm pilot)	A33-10-21322	324-5153-201
5 i	4 BOLT B PILOT MOTOR S.E.C. WITHOUT BUSHING TYPE 42 (4" or 101,6 mm pilot)	A33-10-41421	324-5033-401
5 j	4 BOLT B PILOT MOTOR S.E.C. WITH BUSHING TYPE 42 (4" or 101,6 mm pilot)	A33-10-41422	324-5133-401
5 k	4 BOLT C PILOT MOTOR S.E.C. WITHOUT BUSHING TYPE 78 (5" or 127 mm pilot)	A33-10-41431	324-5033-402
5 l	4 BOLT C PILOT MOTOR S.E.C. WITH BUSHING TYPE 78 (5" or 127 mm pilot)	A33-10-41432	324-5133-402
5 m	2 BOLT B PILOT MOTOR S.E.C. WITHOUT BUSHING TYPE 97 (4" or 101,6 mm pilot)	A33-10-41221	324-5023-401
5 n	2 BOLT B PILOT MOTOR S.E.C. WITH BUSHING TYPE 97 (4" or 101,6 mm pilot)	A33-10-41222	324-5123-401
5 o	2 & 4 BOLT B PILOT MOTOR S.E.C. WITHOUT BUSHING TYPE 46 (4" or 101,6 mm pilot)	A33-10-41320	324-5053-401
5 p	2 & 4 BOLT B PILOT MOTOR S.E.C. WITH BUSHING TYPE 46 (4" or 101,6 mm pilot)	A33-10-41322	324-5153-401
6 a	CHECK VALVE MOTOR	A00-75-11000	391-3681-001
6 b	PRESSURE PLUG PUMP (may not be required)	X02-03-32110	391-2286-004
7	SHAFT BUSHING	X03-00-32730	391-0482-306
8	PUMP BUNA SEAL	A33-82-11030	391-2883-166
9	PUMP NYLON BACKUP SEAL	A33-82-46010	391-2883-167
Not Shown	MOTOR NYLON BACKUP SEAL	A33-82-46030	391-2881-929
Not Shown	MOTOR THRUST PLATE SIDE SEAL	A33-82-14022	391-2881-931
Not Shown	MOTOR THRUST PLATE END SEAL	A33-82-14021	391-2881-930
10 a	PUMP THRUST PLATE	A33-70-20000	391-2185-056
10 b	MOTOR THRUST PLATE	A33-70-10000	391-2185-065
11 a	SHAFT & GEAR SET 13 TOOTH SPLINE 0.858" maj. dia TYPE 25	A33-50-XX225	324-29XX-230
11 b	SHAFT & GEAR SET 0.9984" dia. KEYED (1/4" x 3/8" x 1 1/4") TYPE 43	A33-50-XX135	324-29XX-740
11 c	SHAFT & GEAR SET 15 TOOTH SPLINE 0.983" maj. dia TYPE 98	A33-50-XX231	324-29XX-240
12 a	PUMP HOUSING GASKET	X85-11-10104	391-2884-050
12 b	MOTOR HOUSING GASKET	X85-11-09803	391-2884-076
13	HOUSING DOWELL PIN	A00-94-11025	391-2082-032
14 a	PUMP GEAR HOUSING	A33-33-XX000	324-81XX-100
14 b	MOTOR GEAR HOUSING	A33-32-XX000	324-82XX-100
15 a	330 BEARING CARRIER BLANK WITHOUT BUSHING	A33-40-00000	324-7200-100
15 b	330 BEARING CARRIER BLANK WITH BUSHING	A33-40-10000	324-7700-100
15 c	330 BEARING CARRIER 1 OUTLET WITHOUT BUSHING	A33-40-21000	324-7100-100
15 d	330 BEARING CARRIER 1 OUTLET WITH BUSHING	A33-40-31000	324-7600-100
15 e	330 BEARING CARRIER 2 OUTLET WITHOUT BUSHING	A33-40-22000	324-7300-100
15 f	330 BEARING CARRIER 2 OUTLET WITH BUSHING	A33-40-32000	324-7800-100
15 g	330/315 BEARING CARRIER CW WITHOUT BUSHING	A33-40-23000	324-3050-100
15 h	330/315 BEARING CARRIER CW WITH BUSHING	A33-40-33000	324-3150-100
15 i	330/315 BEARING CARRIER CCW WITHOUT BUSHING	A33-40-24000	324-3060-100
15 j	330/315 BEARING CARRIER CCW WITH BUSHING	A33-40-34000	324-3160-100
16 a	CONNECTING SHAFT	A33-50-00500	324-1133-001
16 b	PIGGYBACK CONNECTING SHAFT PHASE 2	A81-50-00500	324-1133-004
17	GEAR SET ONLY	A33-50-XX000	324-28XX-000
18 a	330 PUMP P.E.C. NO PORTING WITHOUT BUSHING	A33-23-00000	324-3000-100
18 b	330 PUMP P.E.C. NO PORTING WITH BUSHING	A33-23-10000	324-3100-100
18 c	330 P.E.C. NO PORTING WITHOUT BUSHING CHECK VALVE REQ.	A33-25-00000	324-3000-101
18 d	330 P.E.C. NO PORTING WITH BUSHING CHECK VALVE REQ.	A33-25-10000	324-3100-101
18 e	330 PUMP P.E.C. PORTING TYPE WITHOUT BUSHING	A33-23-02000	324-3010-100
18 f	330 PUMP P.E.C. PORTING TYPE WITH BUSHING	A33-23-12000	324-3110-100

## RPGP 330

DRW. NO.	DESCRIPTION	RCHC NO.	GENERAL NO.
18 g	330 MOTOR P.E.C. PORTING TYPE WITHOUT BUSHING	A33-22-02000	324-3020-100
18 h	330 MOTOR P.E.C. PORTING TYPE WITH BUSHING	A33-22-12000	324-3120-100
19	BOLTS / STUDS (5/8"-UNC)	See page	Fasteners
20	FLAT WASHER (5/8")	X45-10-17005	391-3784-028
21	HEX NUT (5/8"-UNC)	X42-11-16000	391-1451-076
Not Shown	CONTINENTAL SHAFT 14 TOOTH SPLINE 1.223" maj. dia. TYPE 7	A33-50-00241	324-1000-500
Not Shown	CONTINENTAL SHAFT 13 TOOTH SPLINE 0.858" maj. dia. TYPE 25	A33-50-00221	324-1000-300
Not Shown	CONTINENTAL SHAFT 0.9984" dia. KEYED (1/4" x 3/8" x 1 1/4") TYPE 43	A33-50-00131	324-1500-400
Not Shown	CONTINENTAL SHAFT 15 TOOTH SPLINE 0.983" maj. dia. TYPE 98	A33-50-00239	324-1200-400
Not Shown	CONTINENTAL SHAFT 0.875" dia. KEYED (1/4" x 3/8" x 1") TYPE 30	A33-50-00121	324-1500-300
Not Shown	DRIVE KEY FOR TYPE 43 SHAFT	X01-02-60632	391-1781-082
Not Shown	DRIVE KEY FOR TYPE 30 SHAFT	X01-02-60625	391-1781-085
Not Shown	CONTINENTAL SHAFT BRG. RETAINER	A20-60-20000	312-0100-002
Not Shown	CONTINENTAL SHAFT BRG. RETAINER SNAP RING	X05-02-28110	391-2685-011

**NOTE** The **XX** shown in the part number is in place of the size the true value must be placed into the part number when ordering parts.  
**(eg.)** Gear set no. A33-50-XX000 changes to A33-50-15000 for 1.5" gear size  
Housing no. A33-33-XX000 changes to A33-33-15000 for a 1.5" housing size  
No porting sizes have been indicated all porting must be specified when ordering parts.



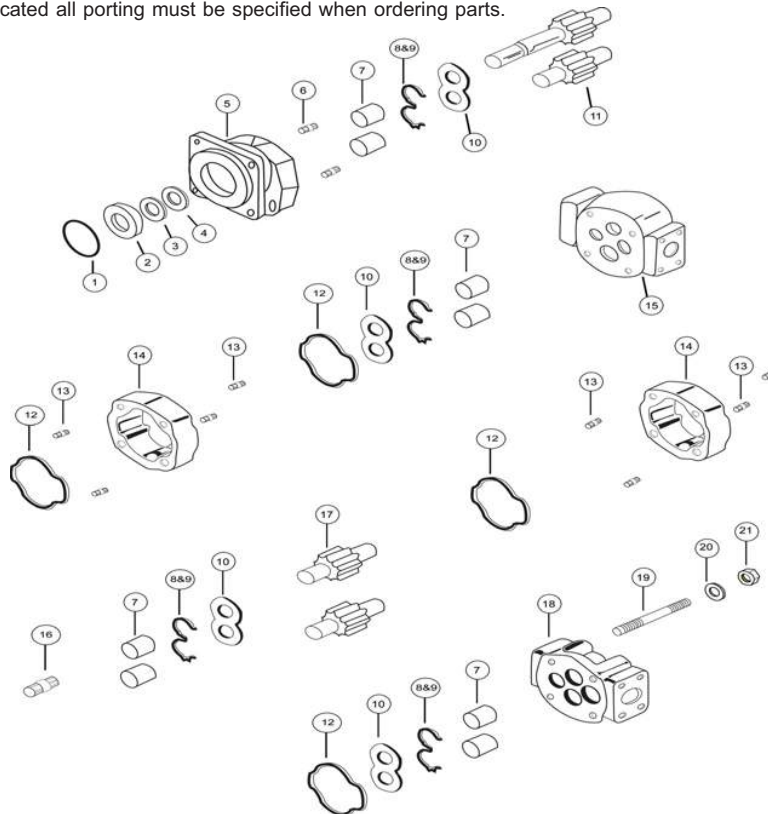
## RPGP 350

DRW. NO.	DESCRIPTION	RCHC NO.	GENERAL NO.
1	SHAFT BRG. SNAP RING	X05-03-77250	391-2686-065
2 a	INPUT SHAFT BRG.	X03-16-13272	391-0381-077
2 b	SEAL RETAINER & SPACER IN PLACE OF SHAFT BRG.	A50-60-10000	391-3383-087
3	SEAL RETAINER FOR MOTORS ONLY	A50-60-30000	391-3383-020
4 a	PUMP LIP SEAL	X83-11-03308	391-2883-103
4 b	MOTOR LIP SEAL	X83-36-03309	391-2883-115
4 c	SEAL FOR CONTINENTAL SHAFT	X89-11-03308	391-2883-133
5 a	4 BOLT B MOUNT PUMP S.E.C. WITHOUT BUSHING TYPE 42 (4" or 101,6 mm pilot)	A35-10-21421	323-5033-201
5 b	4 BOLT B MOUNT PUMP S.E.C. WITH BUSHING TYPE 42 (4" or 101,6 mm pilot)	A35-10-21422	323-5133-201
5 c	2/4 BOLT B MOUNT PUMP S.E.C. WITHOUT BUSHING TYPE 46 (4" or 101,6 mm pilot)	A35-10-21321	323-5053-201
5 d	2/4 BOLT B MOUNT PUMP S.E.C. WITH BUSHING TYPE 46 (4" or 101,6 mm pilot)	A35-10-21322	323-5153-201
5 e	4 BOLT C MOUNT PUMP S.E.C. WITHOUT BUSHING TYPE 78 (5" or 127 mm pilot)	A35-10-21431	323-5033-202
5 f	4 BOLT C MOUNT PUMP S.E.C. WITH BUSHING TYPE 78 (5" or 127 mm pilot)	A35-10-21432	323-5133-202
5 g	2 BOLT B MOUNT PUMP S.E.C. WITHOUT BUSHING TYPE 97 (4" or 101,6 mm pilot)	A35-10-21221	323-5023-201
5 h	2 BOLT B MOUNT PUMP S.E.C. WITH BUSHING TYPE 97 (4" or 101,6 mm pilot)	A35-10-21222	323-5123-201
5 i	2 BOLT C MOUNT PUMP S.E.C. WITHOUT BUSHING TYPE 98 (5" or 127 mm pilot)	A35-10-21231	323-5023-202
5 j	2 BOLT C MOUNT PUMP S.E.C. WITH BUSHING TYPE 98 (5" or 127 mm pilot)	A35-10-21232	323-5123-202
5 k	4 BOLT B MOUNT MOTOR S.E.C. WITHOUT BUSHING TYPE 42 (4" or 101,6 mm pilot)	A35-10-41421	323-5033-401
5 L	4 BOLT B MOUNT MOTOR S.E.C. WITH BUSHING TYPE 42 (4" or 101,6 mm pilot)	A35-10-41422	323-5133-401
5 m	2/4 BOLT B MOUNT MOTOR S.E.C. WITHOUT BUSHING TYPE 46 (4" or 101,6 mm pilot)	A35-10-41321	323-5053-401
5 n	2/4 BOLT B MOUNT MOTOR S.E.C. WITH BUSHING TYPE 46 (4" or 101,6 mm pilot)	A35-10-41322	323-5153-401
5 o	4 BOLT C MOUNT MOTOR S.E.C. WITHOUT BUSHING TYPE 78 (5" or 127 mm pilot)	A35-10-41431	323-5033-402
5 p	4 BOLT C MOUNT MOTOR S.E.C. WITH BUSHING TYPE 78 (5" or 127 mm pilot)	A35-10-41432	323-5133-402
5 q	2 BOLT B MOUNT MOTOR S.E.C. WITHOUT BUSHING TYPE 97 (4" or 101,6 mm pilot)	A35-10-41221	323-5023-401
5 r	2 BOLT B MOUNT MOTOR S.E.C. WITH BUSHING TYPE 97 (4" or 101,6 mm pilot)	A35-10-41222	323-5123-401
5 s	2 BOLT C MOUNT MOTOR S.E.C. WITHOUT BUSHING TYPE 98 (5" or 127 mm pilot)	A35-10-41231	323-5023-402
5 t	2 BOLT C MOUNT MOTOR S.E.C. WITH BUSHING TYPE 98 (5" or 127 mm pilot)	A35-10-41232	323-5123-402
6 a	CHECK VALVE MOTOR	A00-75-11000	391-3681-001
6 b	PRESSURE PLUG PUMP	X02-03-32110	391-2286-004
7	SHAFT BUSHING	X03-00-33337	391-0482-308
8	PUMP BUNA SEAL	A35-82-11050	391-2883-140
9	PUMP NYLON BACKUP SEAL	A35-82-46010	391-2883-139
10 a	PUMP THRUST PLATE	A35-70-20000	391-2185-057
10 b	MOTOR THRUST PLATE	A35-70-10000	391-2185-068
Not Shown	MOTOR NYLON BACKUP SEAL	A35-82-46030	391-2885-075
Not Shown	MOTOR THRUST PLATE SIDE SEAL	A35-82-14021	391-2885-073
Not Shown	MOTOR THRUST PLATE END SEAL	A35-82-14020	391-2885-074
11 a	SHAFT & GEAR 14 TOOTH SPLINE 1.228" maj. dia. TYPE 7	A35-50-XX245	323-29XX-250
11 b	SHAFT & GEAR 1.250" KEYED (5/16") TYPE 11	A35-50-XX145	323-29XX-750
11 c	SHAFT & GEAR SET 13 TOOTH SPLINE 0.858" maj. dia. TYPE 25	A35-50-XX225	323-29XX-230
11 d	SHAFT & GEAR SET 0.9984" dia. KEYED (1/4" x 3/8" x 1 1/4") TYPE 43	A35-50-XX135	323-29XX-740
11 e	SHAFT & GEAR 15 TOOTH SPLINE 0.980" maj. dia. TYPE 98	A35-50-XX231	323-29XX-240
11 f	SHAFT & GEAR 1.250" dia. KEYED (5/16" x 5/16" x 2 1/4") TYPE 73	SPECIAL ORDER	323-29XX-752
12 a	PUMP HOUSING GASKET	X85-11-11403	391-2884-074
12 b	MOTOR HOUSING GASKET	X85-11-10803	391-2884-021
13	HOUSING DOWELL PIN	A00-94-11025	391-2082-032
14 a	PUMP GEAR HOUSING	A35-33-XX000	323-81XX-100
14 b	MOTOR GEAR HOUSING	A35-32-XX000	323-82XX-100
15 a	350 BEARING CARRIER BLANK WITHOUT BUSHING	A35-40-00000	323-7200-100
15 b	350 BEARING CARRIER BLANK WITH BUSHING	A35-40-10000	323-7700-100
15 c	350 BEARING CARRIER 1 OUTLET WITHOUT BUSHING	A35-40-21000	323-7100-100
15 d	350 BEARING CARRIER 1 OUTLET WITH BUSHING	A35-40-31000	323-7600-100
15 e	350 BEARING CARRIER 2 OUTLET WITHOUT BUSHING	A35-40-22000	323-7300-100
15 f	350 BEARING CARRIER 2 OUTLET WITH BUSHING	A35-40-32000	323-7800-100
15 g	350/315 BEARING CARRIER CW WITHOUT BUSHING	A35-40-23000	323-3050-100
15 h	350/315 BEARING CARRIER CW WITH BUSHING	A35-40-33000	323-3150-100
15 i	350/315 BEARING CARRIER CCW WITHOUT BUSHING	A35-40-24000	323-3060-100
15 j	350/315 BEARING CARRIER CCW WITH BUSHING	A35-40-34000	323-3160-100
16 a	CONNECTING SHAFT	A35-50-00500	323-1133-001
16 b	PIGGYBACK CONNECTING SHAFT PHASE 2	A82-50-00500	323-1133-006
16 c	PIGGY BACK CONNECTING SHAFT BEARING SNAP RING	X05-01-61200	391-2686-019
16 d	PIGGY BACK CONNECTING SHAFT BEARING	X03-16-13055	391-0381-099
16 e	PIGGY BACK CONNECTING SHAFT SAE "B" SPLINE	A35-50-00620	323-1133-003
16 f	PIGGY BACK CONNECTING SHAFT SAE "A" SPLINE	A35-50-00610	323-1133-002

## RPGP 350

DRW. NO.	DESCRIPTION	RCHC NO.	GENERAL NO.
17	GEAR SET ONLY	A35-50-XX000	323-28XX-000
18 a	350 PUMP & MOTOR P.E.C. WITHOUT BUSHING NO PORTING	A35-23-00000	323-3000-100
18 b	350 PUMP & MOTOR P.E.C. WITH BUSHING NO PORTING	A35-23-10000	323-3100-100
18 c	350 PUMP P.E.C. PORTING TYPE WITHOUT BUSHING	A35-23-02000	323-3010-100
18 d	350 PUMP P.E.C. PORTING TYPE WITH BUSHING	A35-23-12000	323-3110-100
18 e	350 MOTOR P.E.C. PORTING TYPE WITHOUT BUSHING	A35-22-02000	323-3020-100
18 f	350 MOTOR P.E.C. PORTING TYPE WITH BUSHING	A35-22-12000	323-3120-100
18 g	350 P.E.C. TO S.A.E. "A" PILOT CW WITHOUT BUSHING	A35-23-04000	323-3054-099
18 h	350 P.E.C. TO S.A.E. "A" PILOT CW WITH BUSHING	A35-23-14000	323-3154-099
18 i	350 P.E.C. TO S.A.E. "A" PILOT CCW WITHOUT BUSHING	A35-23-05000	323-3064-099
18 j	350 P.E.C. TO S.A.E. "A" PILOT CCW WITH BUSHING	A35-23-15000	323-3164-099
18 k	350 P.E.C. TO S.A.E. "B" PILOT CW WITHOUT BUSHING	A35-23-06000	323-3054-100
18 L	350 P.E.C. TO S.A.E. "B" PILOT CW WITH BUSHING	A35-23-16000	323-3154-100
18 m	350 P.E.C. TO S.A.E. "B" PILOT CCW WITHOUT BUSHING	A35-23-07000	323-3064-100
18 n	350 P.E.C. TO S.A.E. "B" PILOT CCW WITH BUSHING	A35-23-17000	323-3164-100
19	BOLTS / STUDS (5/8"-UNC)	See page	Fasteners
20	FLAT WASHER (5/8")	X45-10-17005	391-3784-028
21	HEX NUT (5/8"-UNC)	X42-11-16000	391-1451-076
Not Shown	CONTINENTAL SHAFT 1.250" KEYED (5/16") TYPE 11	A35-50-00141	323-1500-500
Not Shown	CONTINENTAL SHAFT TYPE 25 (0.875" Ø- 13 TOOTH SPLINE)	A35-50-00221	323-1000-300
Not Shown	CONTINENTAL SHAFT TYPE 73 LONG (1 1/4" Ø KEYED 5/16")	A35-50-00147	323-1500-502
Not Shown	CONTINENTAL SHAFT 14 TOOTH SPLINE 1.228" maj. dia. TYPE 7	A35-50-00241	323-1135-194
Not Shown	CONTINENTAL SHAFT TYPE 43 (1.00" Ø x 1/4" x 3/8" x 1 1/4" key)	A35-50-00131	323-1500-400
Not Shown	DRIVE KEY FOR TYPE 11 SHAFT	X01-02-80838	391-1781-083
Not Shown	DRIVE KEY FOR TYPE 43 SHAFT	X01-02-60632	391-1781-082
Not Shown	DRIVE KEY FOR TYPE 73 SHAFT	SPECIAL ORDER	391-1781-088
Not Shown	CONTINENTAL SHAFT BRG. RETAINER	A50-60-20000	391-3381-046
Not Shown	CONTINENTAL SHAFT BRG. RETAINER SNAP RING	X05-02-35120	391-2685-040
Not Shown	CASE DRAIN PLUG	X02-03-12060	391-2281-010

**NOTE** The **XX** shown in the part number is in place of the size the true value must be placed into the part number when ordering parts.  
**(eg.)** Gear set no. A35-50-XX000 changes to A35-50-15000 for 1.5" gear size  
Housing no. A35-33-XX000 changes to A35-33-15000 for a 1.5" housing size  
No porting sizes have been indicated all porting must be specified when ordering parts.



## RPGP 365

DRW. NO.	DESCRIPTION	RCHC NO.	GENERAL NO.
1	SHAFT BRG. SNAP RING	X05-01-88280	391-2686-025
2 a	INPUT SHAFT BRG.	X03-16-13580	391-0381-078
2 b	SEAL RETAINER & SPACER IN PLACE OF SHAFT BRG.	A36-60-10002	391-3383-099
3	SEAL RETAINER FOR MOTORS ONLY	A36-60-10001	391-2584-119
4 a	PUMP LIP SEAL	X83-11-03508	391-2883-052
4 b	MOTOR LIP SEAL	X83-36-03510	391-2883-094
5 a	4 BOLT B MOUNT PUMP S.E.C. WITHOUT BUSHING TYPE 42 (4" or 101,6 mm pilot)	A36-10-21421	322-5033-201
5 b	4 BOLT B MOUNT PUMP S.E.C. WITH BUSHING TYPE 42 (4" or 101,6 mm pilot)	A36-10-21422	322-5133-201
5 c	4 BOLT C MOUNT PUMP S.E.C. WITHOUT BUSHING TYPE 78 (5" or 127 mm pilot)	A36-10-21431	322-5033-202
5 d	4 BOLT C MOUNT PUMP S.E.C. WITH BUSHING TYPE 78 (5" or 127 mm pilot)	A36-10-21432	322-5133-202
5 e	2 BOLT B MOUNT PUMP S.E.C. WITHOUT BUSHING TYPE 97 (4" or 101,6 mm pilot)	A36-10-21221	322-5023-201
5 f	2 BOLT B MOUNT PUMP S.E.C. WITH BUSHING TYPE 97 (4" or 101,6 mm pilot)	A36-10-21222	322-5123-201
5 g	2 BOLT C MOUNT PUMP S.E.C. WITHOUT BUSHING TYPE 98 (5" or 127 mm pilot)	A36-10-21231	322-5023-202
5 h	2 BOLT C MOUNT PUMP S.E.C. WITH BUSHING TYPE 98 (5" or 127 mm pilot)	A36-10-21232	322-5123-202
5 i	4 BOLT B MOUNT MOTOR S.E.C. WITHOUT BUSHING TYPE 42 (4" or 101,6 mm pilot)	A36-10-41421	322-5033-401
5 j	4 BOLT B MOUNT MOTOR S.E.C. WITH BUSHING TYPE 42 (4" or 101,6 mm pilot)	A36-10-41422	322-5133-401
5 k	4 BOLT C MOUNT MOTOR S.E.C. WITHOUT BUSHING TYPE 78 (5" or 127 mm pilot)	A36-10-41431	322-5033-402
5 L	4 BOLT C MOUNT MOTOR S.E.C. WITH BUSHING TYPE 78 (5" or 127 mm pilot)	A36-10-41432	322-5133-402
5 m	2 BOLT B MOUNT MOTOR S.E.C. WITHOUT BUSHING TYPE 97 (4" or 101,6 mm pilot)	A36-10-41221	322-5023-401
5 n	2 BOLT B MOUNT MOTOR S.E.C. WITH BUSHING TYPE 97 (4" or 101,6 mm pilot)	A36-10-41222	322-5123-401
5 o	2 BOLT C MOUNT MOTOR S.E.C. WITHOUT BUSHING TYPE 98 (5" or 127 mm pilot)	A36-10-41231	322-5023-402
5 p	2 BOLT C MOUNT MOTOR S.E.C. WITH BUSHING TYPE 98 (5" or 127 mm pilot)	A36-10-41232	322-5123-402
6 a	CHECK VALVE MOTOR ( Not required on all models )	A00-75-11000	391-3681-001
6 b	PRESSURE PLUG PUMP ( Not required on all models )	X02-03-32110	391-2286-004
7	SHAFT BUSHING	X03-00-33842	391-0482-307
8	PUMP BUNA SEAL	A36-82-13050	391-2883-176
9	PUMP NYLON BACKUP SEAL	A36-82-46020	391-2883-177
Not Shown	MOTOR NYLON BACKUP SEAL	A36-82-46030	391-2885-071
Not Shown	MOTOR THRUST PLATE SIDE SEAL	A36-82-14021	391-2885-069
Not Shown	MOTOR THRUST PLATE END SEAL	A36-82-14022	391-2885-070
10 a	PUMP THRUST PLATE	A36-70-20000	391-2185-055
10 b	MOTOR THRUST PLATE	A36-70-10000	391-2185-060
11 a	SHAFT & GEAR 14 TOOTH SPLINE 1.228" maj. dia. TYPE 7	A36-50-XX245	322-29XX-250
11 b	SHAFT & GEAR 1.250" KEYED (5/16") TYPE 11	A36-50-XX145	322-29XX-750
11 c	SHAFT & GEAR SET 13 TOOTH SPLINE 0.858" maj. dia TYPE 25	A36-50-XX225	322-29XX-230
12 a	PUMP HOUSING GASKET	X85-11-12703	391-2884-052
12 b	MOTOR HOUSING GASKET	X85-11-12303	391-2884-023
13 a	PUMP HOUSING DOWELL PIN	A00-94-22119	391-2082-062
13 b	MOTOR HOUSING DOWELL PIN	A00-94-22408	391-2082-069
14 a	PUMP GEAR HOUSING	A36-33-XX000	322-81XX-100
14 b	MOTOR GEAR HOUSING	A36-32-XX000	322-82XX-100
15 a	365 BEARING CARRIER 1 OUTLET WITHOUT BUSHING	A36-40-21000	322-7100-100
15 b	365 BEARING CARRIER 1 OUTLET WITH BUSHING	A36-40-31000	322-7600-100
15 c	365 BEARING CARRIER 2 OUTLET WITHOUT BUSHING	A36-40-22000	322-7300-100
15 d	365 BEARING CARRIER 2 OUTLET WITH BUSHING	A36-40-32000	322-7800-100
15 e	365 MOTOR BEARING CARRIER BLANK WITHOUT BUSHING	A36-40-00000	322-7200-100
15 f	365 MOTOR BEARING CARRIER BLANK WITH BUSHING	A36-40-10000	322-7700-100
15 g	365/330 BEARING CARRIER CW WITHOUT BUSHING	A36-40-23000	322-3050-100
15 h	365/330 BEARING CARRIER CW WITH BUSHING	A36-40-33000	322-3150-100
15 i	365/330 BEARING CARRIER CCW WITHOUT BUSHING	A36-40-24000	322-3060-100
15 j	365/330 BEARING CARRIER CCW WITH BUSHING	A36-40-34000	322-3160-100
16 a	CONNECTING SHAFT	A36-50-00500	322-1133-001
16 b	PIGGYBACK CONNECTING SHAFT 365/330	A83-50-00500	322-1133-002
17	GEAR SET ONLY	A36-50-XX000	322-28XX-000
18 a	365 PUMP PORT END COVER WITHOUT BUSHING NO PORTING	A36-23-00000	322-3000-100
18 b	365 PUMP PORT END COVER WITH BUSHING NO PORTING	A36-23-10000	322-3100-100
18 c	365 PUMP PORT END COVER WITHOUT BUSHING PORTING TYPE	A36-23-02000	322-3010-100
18 d	365 PUMP PORT END COVER WITH BUSHING PORTING TYPE	A36-23-12000	322-3110-100
18 e	365 MOTOR PORT END COVER WITHOUT BUSHING NO PORTING	A36-22-00000	322-3000-099
18 f	365 MOTOR PORT END COVER WITH BUSHING NO PORTING	A36-22-10000	322-3100-099
18 g	365 MOTOR PORT END COVER WITHOUT BUSHING PORTING TYPE	A36-22-02000	322-3020-100
18 h	365 MOTOR PORT END COVER WITH BUSHING PORTING TYPE	A36-22-12000	322-3120-100

## RPGP 365

DRW. NO.	DESCRIPTION	RCHC NO.	GENERAL NO.
18 i	365 P.E.C. TO S.A.E. "A" PILOT CW WITHOUT BUSHING	A36-22-04000	322-3054-099
18 j	365 P.E.C. TO S.A.E. "A" PILOT CW WITH BUSHING	A36-22-14000	322-3154-099
18 k	365 P.E.C. TO S.A.E. "A" PILOT CCW WITHOUT BUSHING	A36-22-05000	322-3064-099
18 L	365 P.E.C. TO S.A.E. "A" PILOT CCW WITH BUSHING	A36-22-17000	322-3164-099
18 m	365 P.E.C. TO S.A.E. "B" PILOT CW WITHOUT BUSHING	A36-23-06000	322-3054-100
18 n	365 P.E.C. TO S.A.E. "B" PILOT CW WITH BUSHING	A36-23-16000	322-3154-100
18 o	365 P.E.C. TO S.A.E. "B" PILOT CCW WITHOUT BUSHING	A36-23-07000	322-3064-100
18 p	365 P.E.C. TO S.A.E. "B" PILOT CCW WITH BUSHING	A36-23-17000	322-3164-100
19	BOLTS / STUDS	See page	Fasteners
20 a	MOTOR FLAT WASHER	X45-10-21004	391-3782-114
20 b	PUMP FLAT WASHER	X45-10-17005	391-3784-028
21 a	PUMP HEX NUT	X42-11-16000	391-1451-076
21 b	MOTOR HEX NUT	X42-11-19016	391-1451-086
Not Shown	CONTINENTAL SHAFT 1.250" KEYED (5/16") TYPE 11	A36-50-00141	322-1500-500
Not Shown	CONTINENTAL SHAFT 14 TOOTH SPLINE 1.228" maj. dia. TYPE 7	A36-50-00241	322-1000-500
Not Shown	CONTINENTAL SHAFT BRG. RETAINER	X45-19-35002	391-3782-158
Not Shown	CONTINENTAL SHAFT BRG. RETAINER SNAP RING	X05-02-38130	391-2685-029
Not Shown	SHAFT KEY FOR TYPE 11 SHAFT	X01-02-80838	391-1781-083
Not Shown	PIGGYBACK CONNECTING SHAFT BEARING	X03-16-13055	391-0381-099
Not Shown	PIGGYBACK CONNECTING SHAFT LIP SEAL	X83-11-03308	391-2883-103
Not Shown	PIGGYBACK CONNECTING SHAFT BEARING SNAP RING	X05-01-61200	391-2686-019
Not Shown	1/4" ORB DRAIN PLUG	X02-03-12060	391-2281-010

**NOTE** The **XX** shown in the part number is in place of the size the true value must be placed into the part number when ordering parts.  
**(eg.)** Gear set no. A36-50-XX000 changes to A36-50-15000 for 1.5" gear size  
Housing no. A36-33-XX000 changes to A36-33-15000 for a 1.5" housing size  
No porting sizes have been indicated all porting must be specified when ordering parts.

